



**RICOH UNIVERSITY**

Learning ♦ Knowledge ♦ Performance



**D115/D116**  
**PARTS CATALOG**

006373MIU

**LANIER RICOH SAVIN**





**D115/D116**  
**PARTS CATALOG**

**LANIER**  
**RICOH**  
**SAVIN**





**RICOH UNIVERSITY**

Learning ♦ Knowledge ♦ Performance

# **D115/D116 PARTS CATALOG**

006373MIU

**LANIER RICOH SAVIN®**



It is the reader's responsibility when discussing the information contained within this document to maintain a level of confidentiality that is in the best interest of Ricoh Americas Corporation and its member companies.

**NO PART OF THIS DOCUMENT MAY BE REPRODUCED IN ANY  
*FASHION AND DISTRIBUTED WITHOUT THE PRIOR  
PERMISSION OF RICOH AMERICAS CORPORATION.***

All product names, domain names or product illustrations, including desktop images, used in this document are trademarks, registered trademarks or the property of their respective companies.

They are used throughout this book in an informational or editorial fashion only and for the benefit of such companies. No such use, or the use of any trade name, or web site is intended to convey endorsement or other affiliation with Ricoh products.





# LEGEND

PRODUCT CODE	COMPANY		
	LANIER	RICOH	SAVIN
D115	LD220SPF	Aficio MP201SPF	902SPF
D116	LD220F	Aficio MP201F	902F
D567	PAPER FEED UNIT PB1030		
B679/B870/D577/ D467/G874/M344	D115/D116 CONTROLLER OPTIONS		

# DOCUMENTATION HISTORY

REV. NO.	DATE	COMMENTS
*	04/2008	Original Printing



# D115/D116

## TABLE OF CONTENTS

### D115/D116 PARTS LOCATION AND LIST

1.Exterior (D115/D116).....	6
2.Operation Panel (D115/D116).....	8
3.Operation Panel GW (D115/D116).....	10
4.By-pass Feed Unit (D115/D116).....	12
5.Paper Registration (D115/D116).....	14
6.Transport Section (D115/D116).....	16
7.Paper Cassette (D115/D116).....	18
8.ARDf 1 (D115/D116).....	20
9.ARDf 2 (D115/D116).....	22
10.ARDf 3 (D115/D116).....	24
11.ARDf 4 (D115/D116).....	26
12.ARDf 5 (D115/D116).....	28
13.Optics Section 1 (D115/D116).....	30
14.Optics Section 2 (D115/D116).....	32
15.Laser Unit (D115/D116).....	34
16.PCU Section (D115/D116).....	36
17.Fusing Unit (D115/D116).....	38
18.Drive Section (D115/D116).....	40
19.Electrical Section (D115/D116).....	43
20.Frame Section (D115/D116).....	44
21.Extension Box (D115/D116).....	46
22.Accessory (D115/D116).....	48
23.Decals And Documents (D115/D116).....	50
24.Special Tools (D115/D116).....	52

### D115/D116 PARTS INDEX

PARTS INDEX.....	2
------------------	---

### PAPER FEED UNIT PB1030 (D567) PARTS LOCATION AND LIST

1.Paper Tray Unit 1 (D567).....	2
2.Paper Tray Unit 2 (D567).....	4
3.Paper Tray Unit 3 (D567).....	6

### PAPER FEED UNIT PB1030 (D567) PARTS INDEX

PARTS INDEX.....	2
------------------	---

### D115/D116 CONTROLLER OPTIONS

#### (B679/B870/D577/D467/G874/M344) PARTS LOCATION AND LIST

1.Controller Options 1.....	2
2.Controller Options 2.....	4

### D115/D116 CONTROLLER OPTIONS

#### (B679/B870/D577/D467/G874/M344) PARTS INDEX

PARTS INDEX.....	2
------------------	---

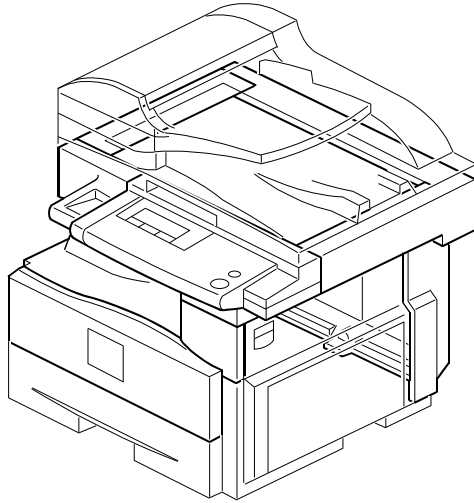


**D115/D116**  
**PARTS LOCATION AND LIST**

This section shows you the part numbers and descriptions used on this machine.

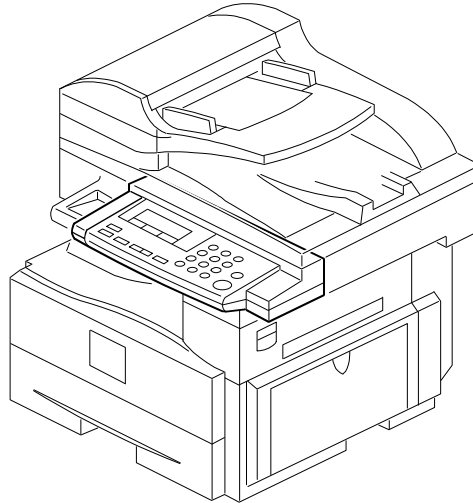
## LOCATIONS OF UNITS

1. Exterior (D115/D116)



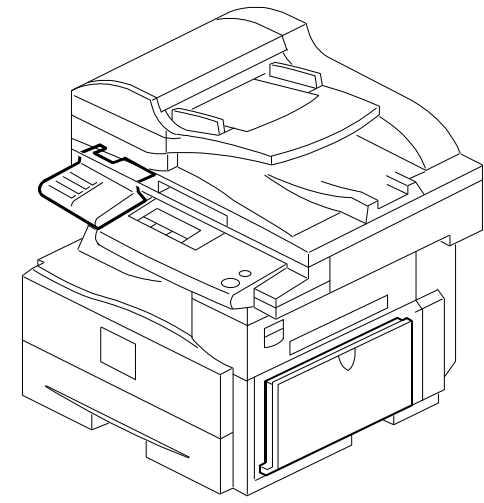
See Page 7

2. Operation Panel (D115/D116)



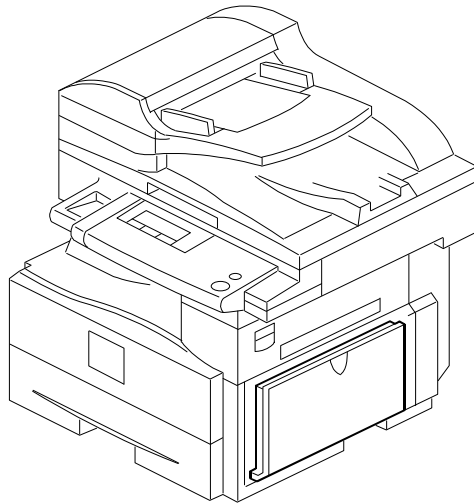
See Page 9

3. Operation Panel GW (D115/D116)



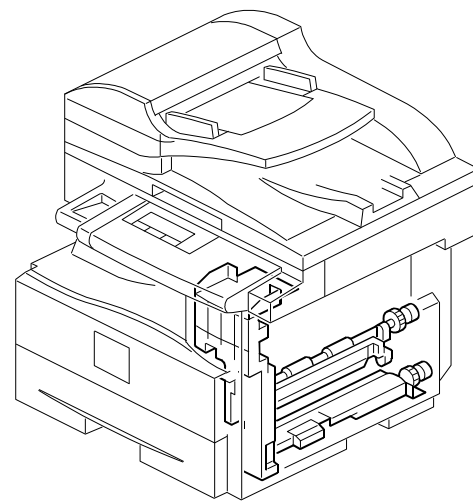
See Page 11

4. By-pass Feed Unit (D115/D116)



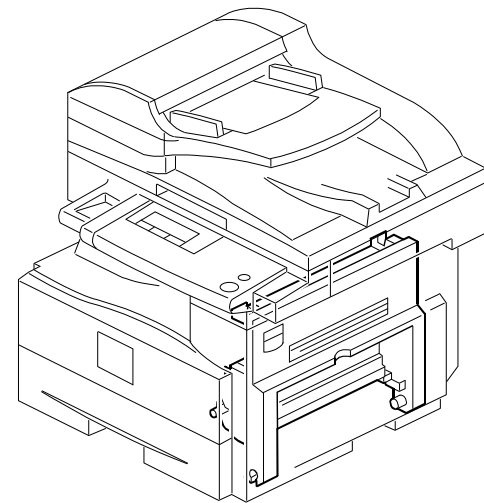
See Page 13

5. Paper Registration (D115/D116)



See Page 15

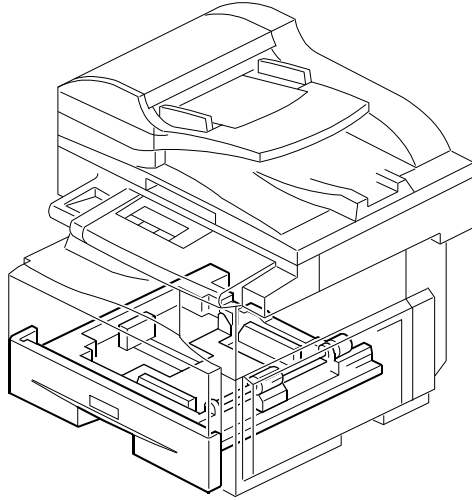
6. Transport Section (D115/D116)



See Page 17

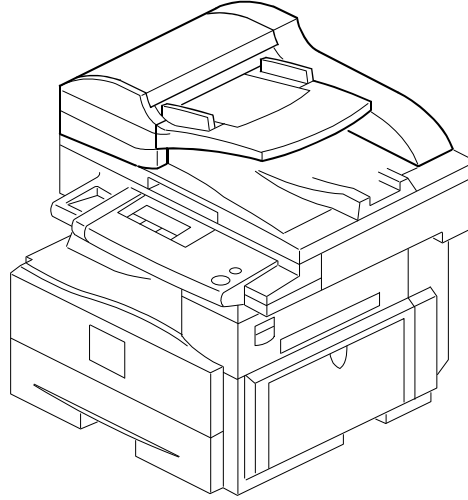
## LOCATIONS OF UNITS

7. Paper Cassette (D115/D116)



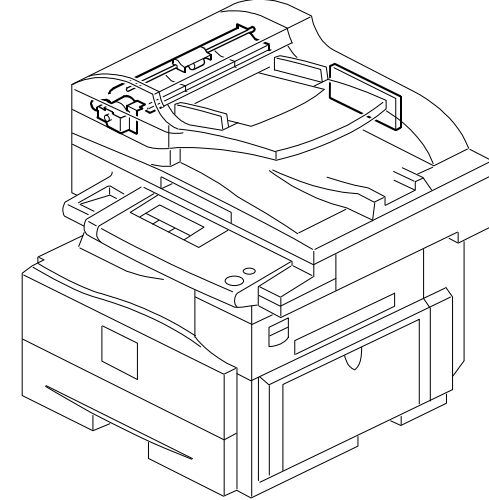
See Page 19

8. ARDF 1 (D115/D116)



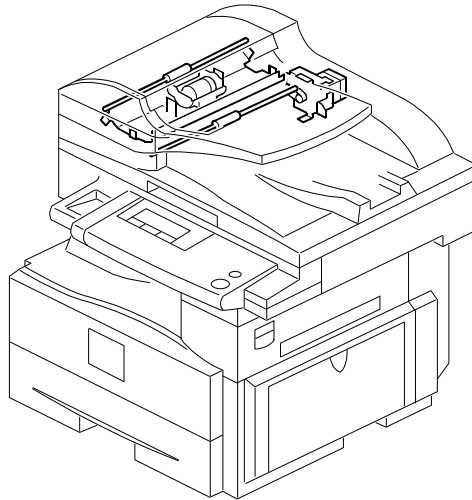
See Page 21

9. ARDF 2 (D115/D116)



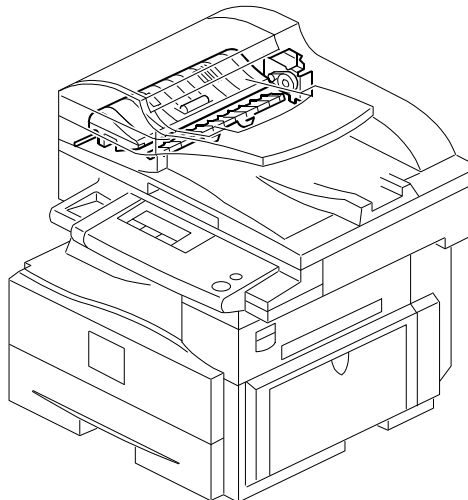
See Page 23

10. ARDF 3 (D115/D116)



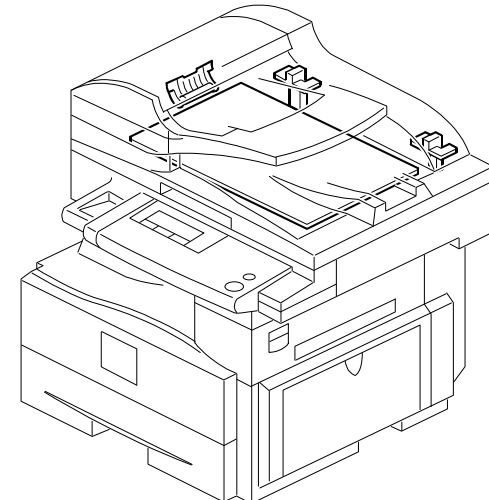
See Page 25

11. ARDF 4 (D115/D116)



See Page 27

12. ARDF 5 (D115/D116)

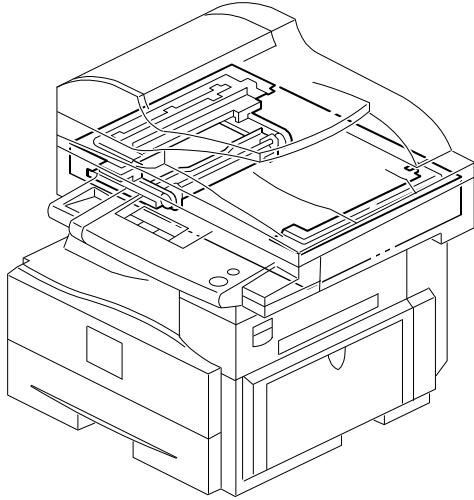


See Page 29



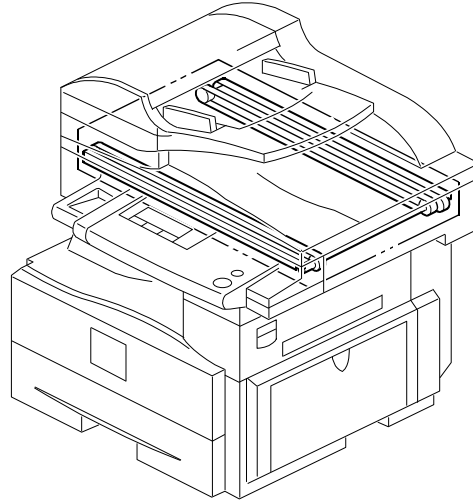
## LOCATIONS OF UNITS

13. Optics Section 1 (D115/D116)



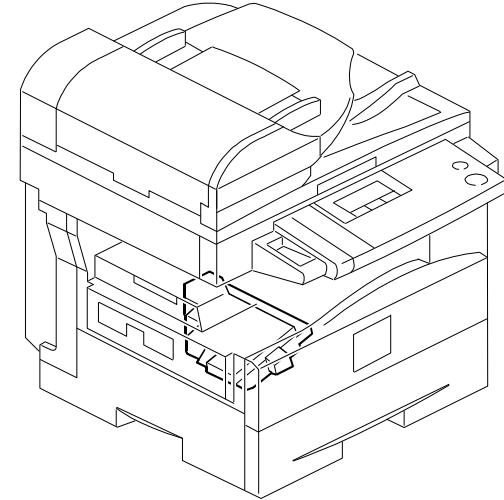
See Page 31

14. Optics Section 2 (D115/D116)



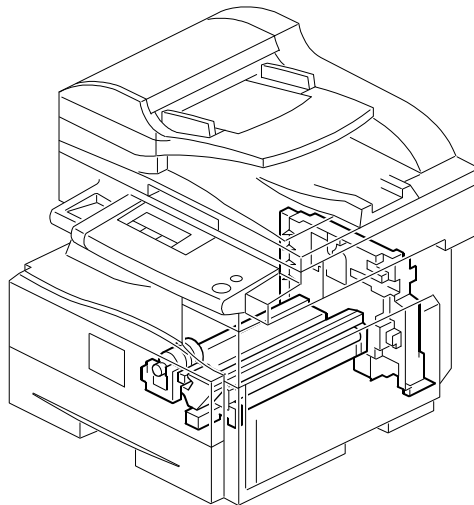
See Page 33

15. Laser Unit (D115/D116)



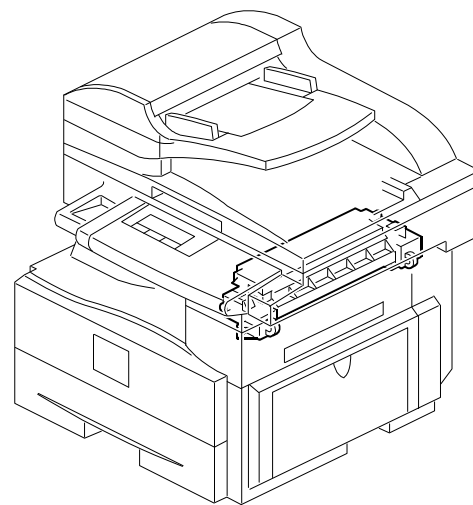
See Page 35

16. PCU Section (D115/D116)



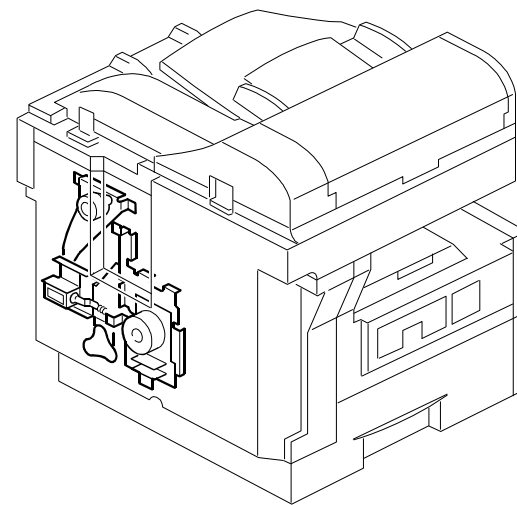
See Page 37

17. Fusing Unit (D115/D116)



See Page 39

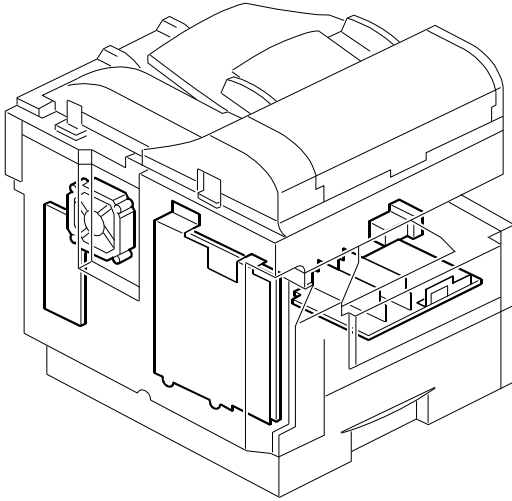
18. Drive Section (D115/D116)



See Page 41

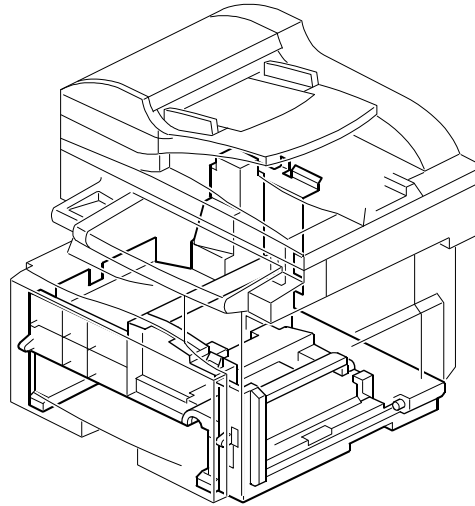
## LOCATIONS OF UNITS

19. Electrical Section (D115/D116)



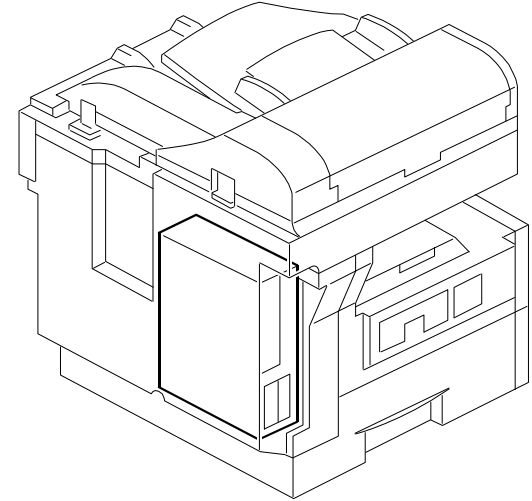
See Page 42

20. Frame Section (D115/D116)



See Page 45

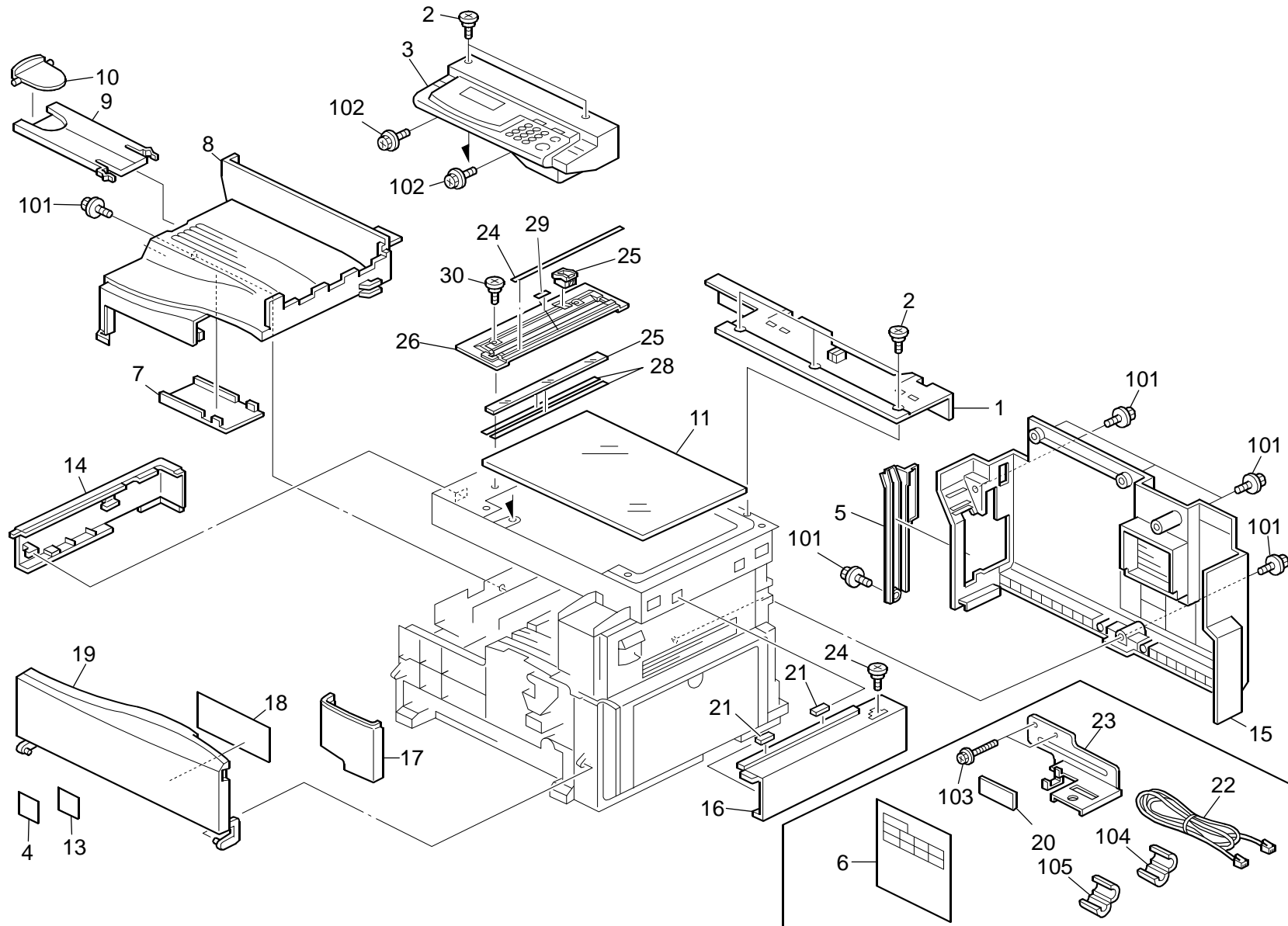
21. Extension Box (D115/D116)



See Page 47



# 1.Exterior (D115/D116)



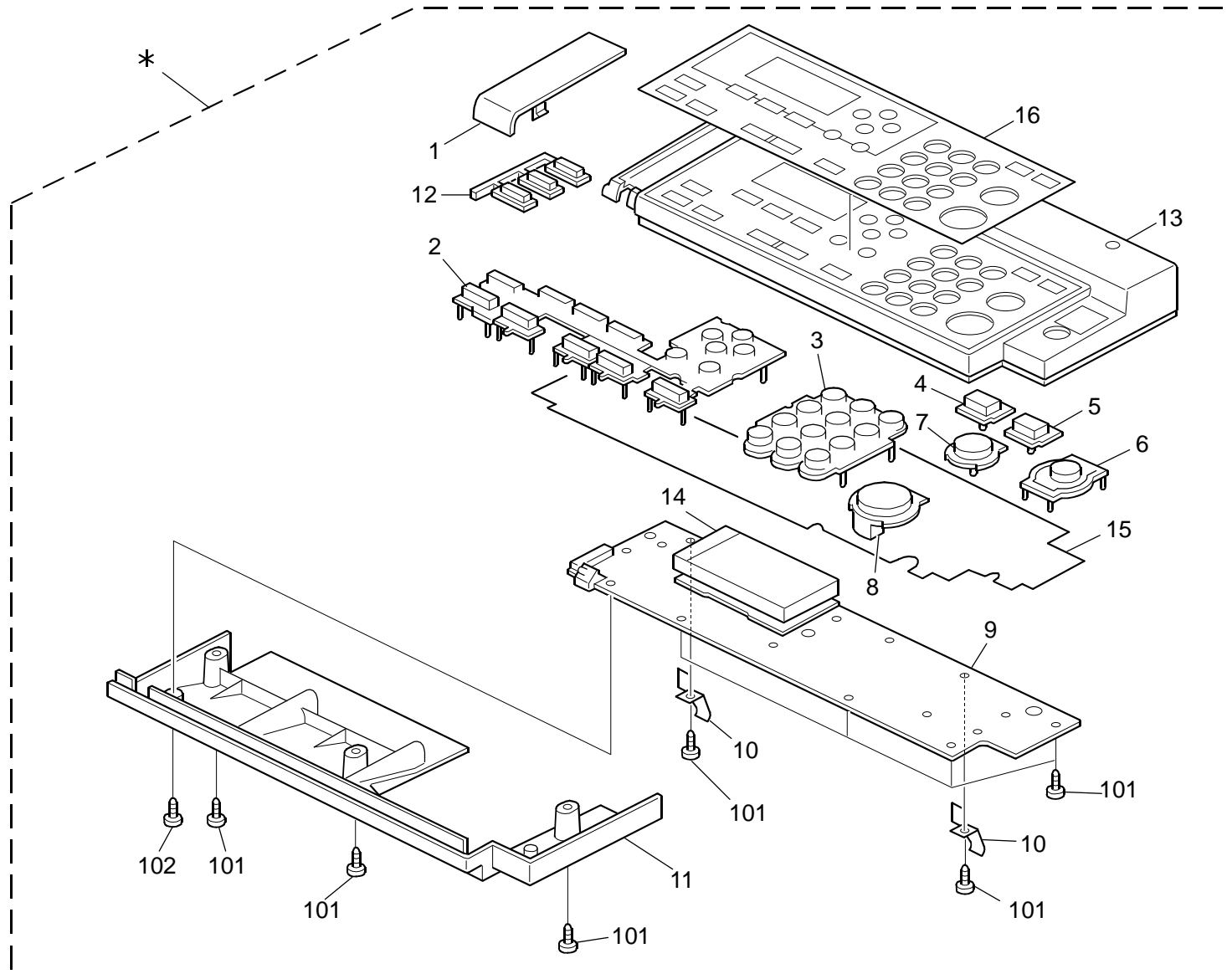
# 1.Exterior (D115/D116)

Rev. 05/17/2011

Index No.	Part No.	Description	Q'ty Per Assembly
1	B262 1848	Scale: Inner Back: NA	1
1	B262 1847	Scale: Inner Back: EU	1
2	B044 1847	Shoulder Screw	8
3	D115 7500	Model Name Plate: D115: RIC	1
3	D067 1436	Operation Panel: NA: D068 (D116)	1
3	D067 1437	Operation Panel: EU: D068 (D116)	1
3	D067 1438	Operation Panel: AA: D068 (D116)	1
3	D067 1431	Operation Panel: NA: D069 (D115)	1
3	D067 1435	Operation Panel: EU: D069 (D115)	1
3	D067 1434	Operation Panel: AA: D069 (D115)	1
4	D116 7500	Model Name Plate: D116: RIC	1
4	D115 7504	Model Name Plate: D115: LAN: AA	1
4	D116 7504	Model Name Plate: D116: LAN: AA	1
5	D067 1256	Cover: IC Card	1
6	H555 2790	Decal - Paper Size	1
7	B044 1258	Shielding Plate	1
8	D115 1252	Cover: Exit: EU	1
8	D115 1262	Cover: Exit: NA/AA	1
9	D067 1284	Extension Tray	1
10	D067 1254	End Fence: Paper Exit	1
11	AC01 2070	Exposure Glass	1
12	B390 1759	Shaft: Scale	1
13	H310 4120	Plate: Logotype: RIC	1
13	H555 4184	Plate: Logotype: H555: INF	1
13	H555 4185	Plate: Logotype: H555: NSA	1
13	H555 4186	Plate: Logotype: H555: REX	1
13	H555 4187	Plate: Logotype: H555: GES	1
14	B129 1261	Left Scanner Cover NA	1
14	B129 1251	Left Scanner Cover EU	1
15	D067 1250	Cover: Rear	1
16	B262 1266	Cover: Scanner: Right: NA	1
16	B262 1256	Cover: Scanner: Right: EU	1
17	B044 1278	Right Upper Cover	1
18	B044 1290	Sheet - Operation Instructions	1
19	D067 1286	Door: Front	1

Index No.	Part No.	Description	Q'ty Per Assembly
20	H310 4120	Plate: Logotype: RIC	1
20	H555 4182	Plate: Logotype: SAV	1
20	H555 4183	Plate: Logotype: H555: LAN	1
20	H555 4184	Plate: Logotype: H555: INF	1
20	H555 4185	Plate: Logotype: H555: NSA	1
20	H555 4186	Plate: Logotype: H555: REX	1
20	H555 4187	Plate: Logotype: H555: GES	1
21	B262 1258	Plate: Exposure Glass	2
22	H523 5350	Telephone Cable	1
23	D068 5821	Bracket: Hand Set	1
24	B872 6061	Decal: Scale: Left: NA	1
24	B872 6071	Decal: Scale: Left: EU	1
25	B872 7014	Cap: Registration Sensor: Scale	1
26	B872 7010	Scale: Left: Adhesion (D068/D069/D072)	1
27	AC01 3005	DF Exposure Glass	1
28	B044 4929	Sheet - Exposure Glass	2
29	B872 6081	Decal: Caution Chart	1
30	AA14 3866	Screw: DIA3.4: M3	1
101	0451 3008N	Tapping Screw - M3x8	
102	0451 3006N	Tapping Screw - 3x6	
103	0450 3010N	Tapping Screw - M3x10	
104	1607 1139	Ferrite Core: RFC-8	
105	1607 1715	Ferrite Core - RFC-5	

## 2.Operation Panel (D115/D116)

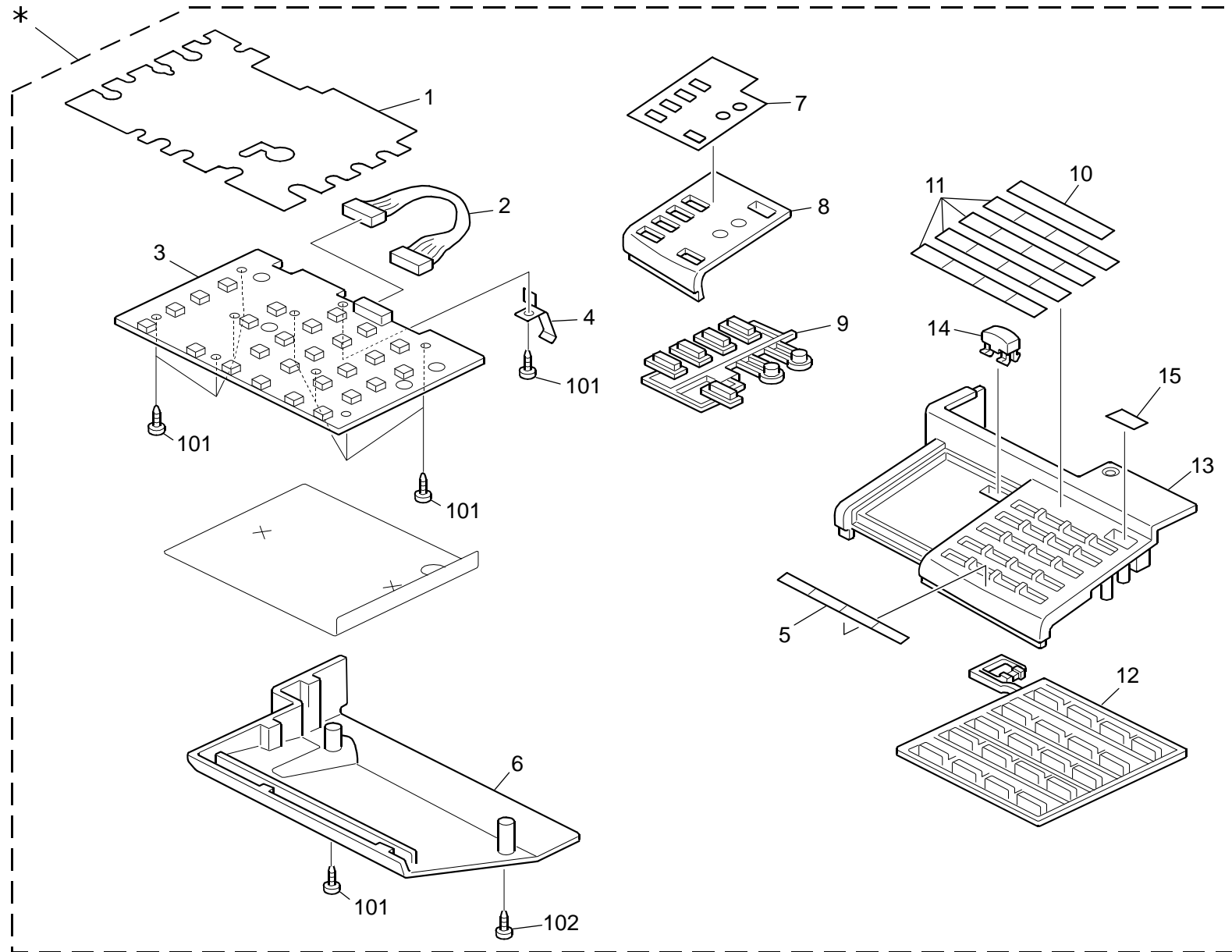


## 2.Operation Panel (D115/D116)

Index No.	Part No.	Description	Q'ty Per Assembly
*	D067 1436	Operation Panel: NA: D068 (D116)	1
*	D067 1437	Operation Panel: EU: D068 (D116)	1
*	D067 1438	Operation Panel: AA: D068 (D116)	1
*	D067 1431	Operation Panel: NA: D069 (D115)	1
*	D067 1435	Operation Panel: EU: D069 (D115)	1
*	D067 1434	Operation Panel: AA: D069 (D115)	1
1	B262 1474	Cover: On-line: C (D116)	1
1	B262 1479	Cover: On-line: CPS: NA (D115)	1
1	B262 1481	Cover: On-line: CPS: EU (D115)	1
2	B243 1459	Keytop - Cursor	1
3	B229 1475	Keytop - 10key	1
3	B229 1526	Keytop - 10key NA	1
3	B229 1557	Keytop - 10key AA	1
4	B229 1525	Keytop-Initial	1
5	B229 1537	Keytop - Clear Modes	1
6	B243 1458	Keytop - Power Source	1
7	B229 1454	Keytop - Clear/Stop	1
8	B229 1453	Keytop - Start	1
9	D067 1551	PCB: OPU	1
10	B129 1474	Spring Plate - Stl	2
11	B262 1452	Cover: Lower: Basic	1
12	B243 1477	Keytop: Copy: NA (D068)	1
13	B262 1451	Cover: Upper: Basic	1
14	D067 1495	LCD: 168x64DOTS	1
15	B262 1455	Sheet: Base: Right	1
16	D067 1450	Sheet: Display: Operation Panel: NA: C4	1
16	D067 1451	Sheet: Display: Operation Panel: EU: C4	1

Index No.	Part No.	Description	Q'ty Per Assembly
101	0452 3010N	Binding Self-Tapping Screw: 3x10	
102	0452 3012N	Binding Self-Tapping Screw: M3x12	

### 3.Operation Panel GW (D115/D116)



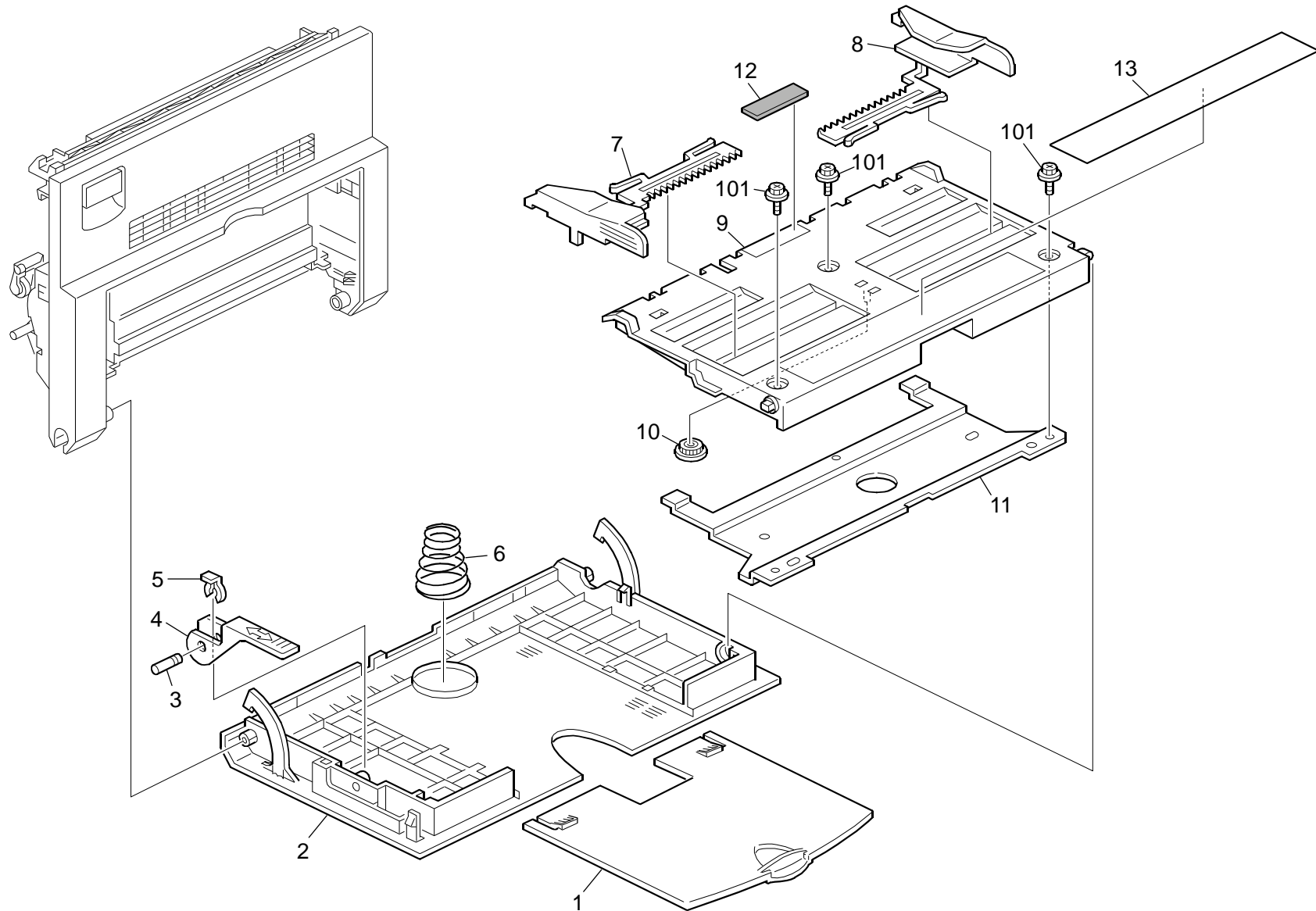


### 3.Operation Panel GW (D115/D116)

Index No.	Part No.	Description	Q'ty Per Assembly
*	D067 1425	Operation Panel: CF: NA/AA: D068 (D116)	1
*	D067 1424	Operation Panel: CF: EU: D068 (D116)	1
*	D067 1421	Operation Panel: SpF: NA/AA: D069 (D115)	1
*	D067 1422	Operation Panel: SpF: EU: D069Y (D115)	1
1	B262 1464	Sheet: Base: Left	1
2	D067 5290	Harness: OPU: Expand	1
3	D067 1565	PCB: OPU: EXT	1
4	B129 1474	Spring Plate: STL	1
5	B262 1469	Sheet: Display: Expand: D: NA	1
6	B262 1460	Cover: Lower: Fax	1
7	B262 1470	Sheet: Display: Function: Fax: NA	1
8	B262 1463	Cover: Function: Fax	1
9	B262 1462	Keytop: Function: Fax	1
10	B262 1466	Sheet: Display: Expand: A: NA	1
11	B262 1468	Sheet: Display: Expand: C	1
12	B262 1461	Keytop: Dial: Fax	1
13	B262 1459	Cover: Upper: Fax	1
14	B843 1478	Keytop: Fax: NA	1
14	B843 1479	Keytop: Fax: EU	1
15	B262 1485	Sheet: Display: Expand: B: Blank	1

Index No.	Part No.	Description	Q'ty Per Assembly
101	0452 3010N	Binding Self-Tapping Screw: 3x10	
102	0452 3012N	Binding Self-Tapping Screw: M3x12	

## 4.By-pass Feed Unit (D115/D116)

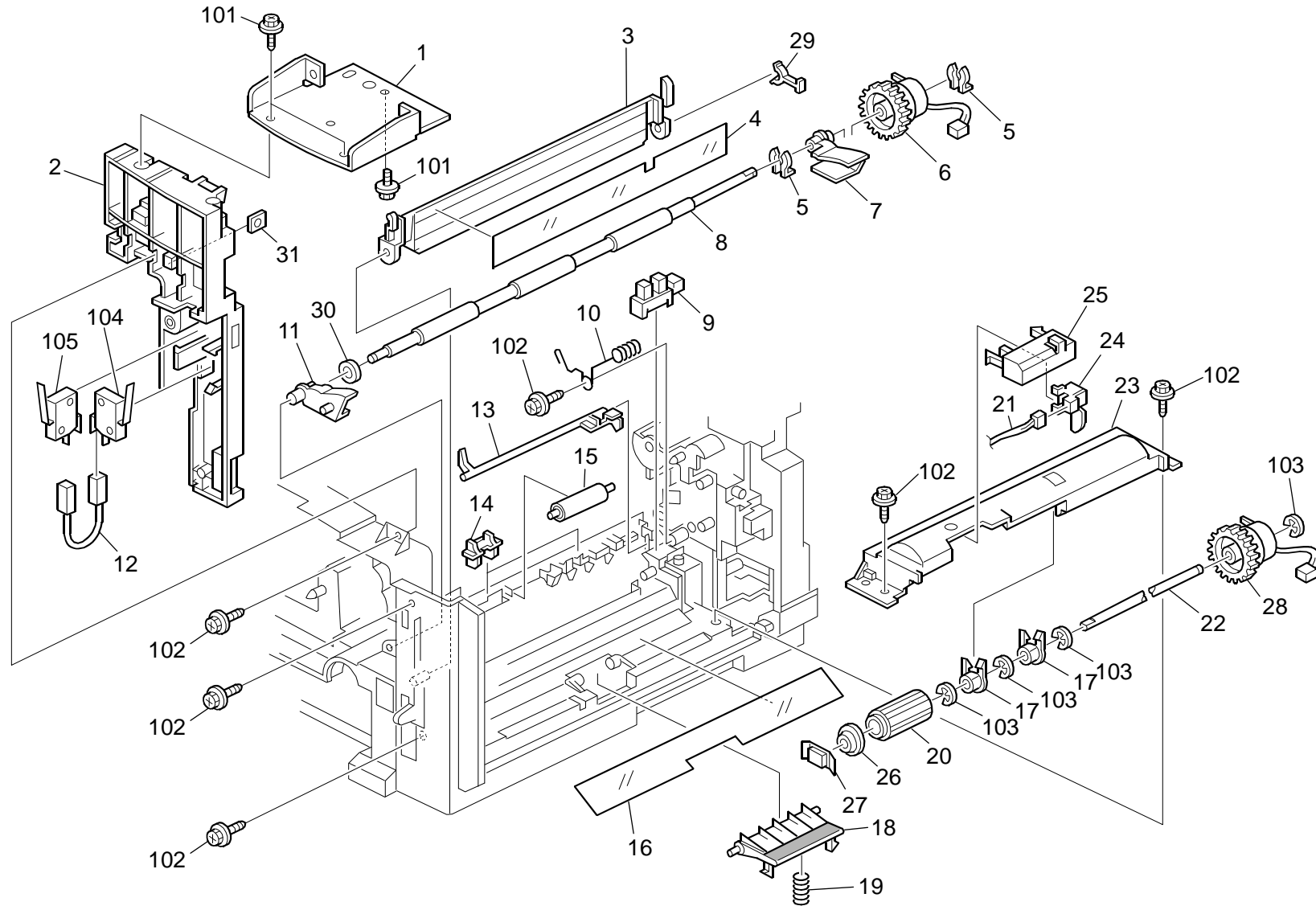


#### 4.By-pass Feed Unit (D115/D116)

Index No.	Part No.	Description	Q'ty Per Assembly
1	B044 2808	Paper Guide	1
2	B044 2801	By-pass Feed Table	1
3	B259 2786	Lever Shaft	1
4	B044 2806	Lever - Manual Feed Table	1
5	5447 2681	Snap Ring	1
6	B044 2809	Spring - Manual Feed Table	1
7	B044 2804	Front Side Fence	1
8	B044 2805	Rear Side Fence	1
9	B044 2803	Tray Bottom Plate	1
10	G800 3133	Side Fence Gear	1
11	B044 2807	Stay - Tray Bottom Plate	1
12	5215 2713	Bottom Plate Pad	1
13	AA00 3011	Manual Feed Decal	1

Index No.	Part No.	Description	Q'ty Per Assembly
101	0451 3006N	Tapping Screw - 3x6	

## 5. Paper Registration (D115/D116)



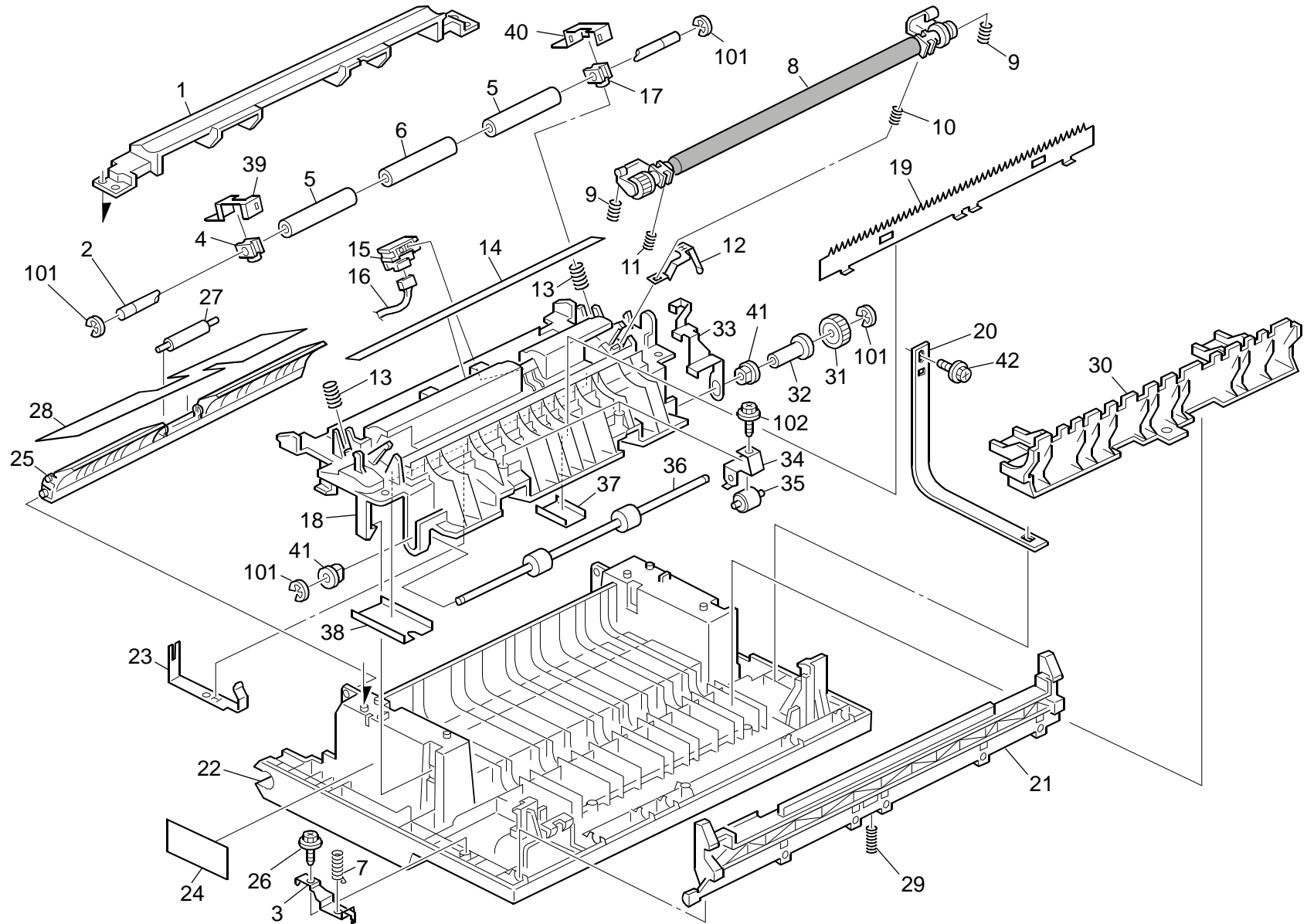
## 5.Paper Registration (D115/D116)

Rev. 09/13/2011

Index No.	Part No.	Description	Q'ty Per Assembly
1	D108 1074	Bracket: Scanner: Front Right	1
2	B044 1063	Scanner Stud	1
3	B044 2653	Guide Plate - Paper Feed	1
4	B044 2654	Paper Feedguide	1
5	H521 3355	C Ring - Paper Feed Roller	2
6	AX20 0308	Magnetic Clutch: 0.25N.m: Z43	1
7	B044 2605	Rear Bushing	1
8	AF02 0686	Registration Roller	1
9	GW02 0020	Photointerruptor: LG248NL1	1
10	B044 1102	Registration Electrode Plate	1
11	B044 2604	Front Bushing	1
12	D067 5211	Harness: Switch: Front Right	1
13	B044 2603	Registration Feeler	1
14	B044 2616	Support Bushing	2
15	B044 2602	Turn Roller	1
16	B044 2814	Exit Guide	1
17	AA08 0322	Bushing - 6mm	2
18	B044 2815	Friction Pad - Manual Feed	1
19	B044 2817	Friction Pad Spring	1
20	AF03 1086	By-Pass Feed Roller	1
21	D067 5218	Harness: Paper End Sensor	1
22	B044 2829	Manual Feed Shaft	1
23	B044 2811	Guide Plate - Manual Feed	1
24	G020 2772	By-Pass Paper End Sensor	1
25	B044 2812	Manual Feed Bracket	1
26	B044 2825	Spacer-Manual Feed Roller	1
27	B044 2824	Cushion-Manual Feed Roller	1
28	AX20 0310	Magnetic Clutch: 0.25N.m: Z43	1
29	B044 2656	Guide Plate Stopper	1
30	B044 2622	Spacer - Registration	1
31	B044 4200	Fusing Plate Nut	1

Index No.	Part No.	Description	Q'ty Per Assembly
101	0451 3006N	Tapping Screw - 3x6	
102	0450 3006N	Tapping Screw - M3x6	
103	0720 0040E	Retaining Ring - M4	
104	1204 2521	Micro Switch	
105	1204 2529	Switch - V-5F912DN	

## 6.Transport Section (D115/D116)

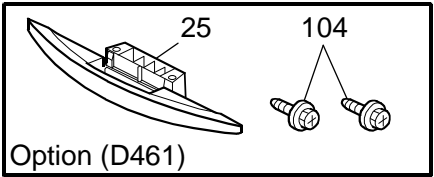
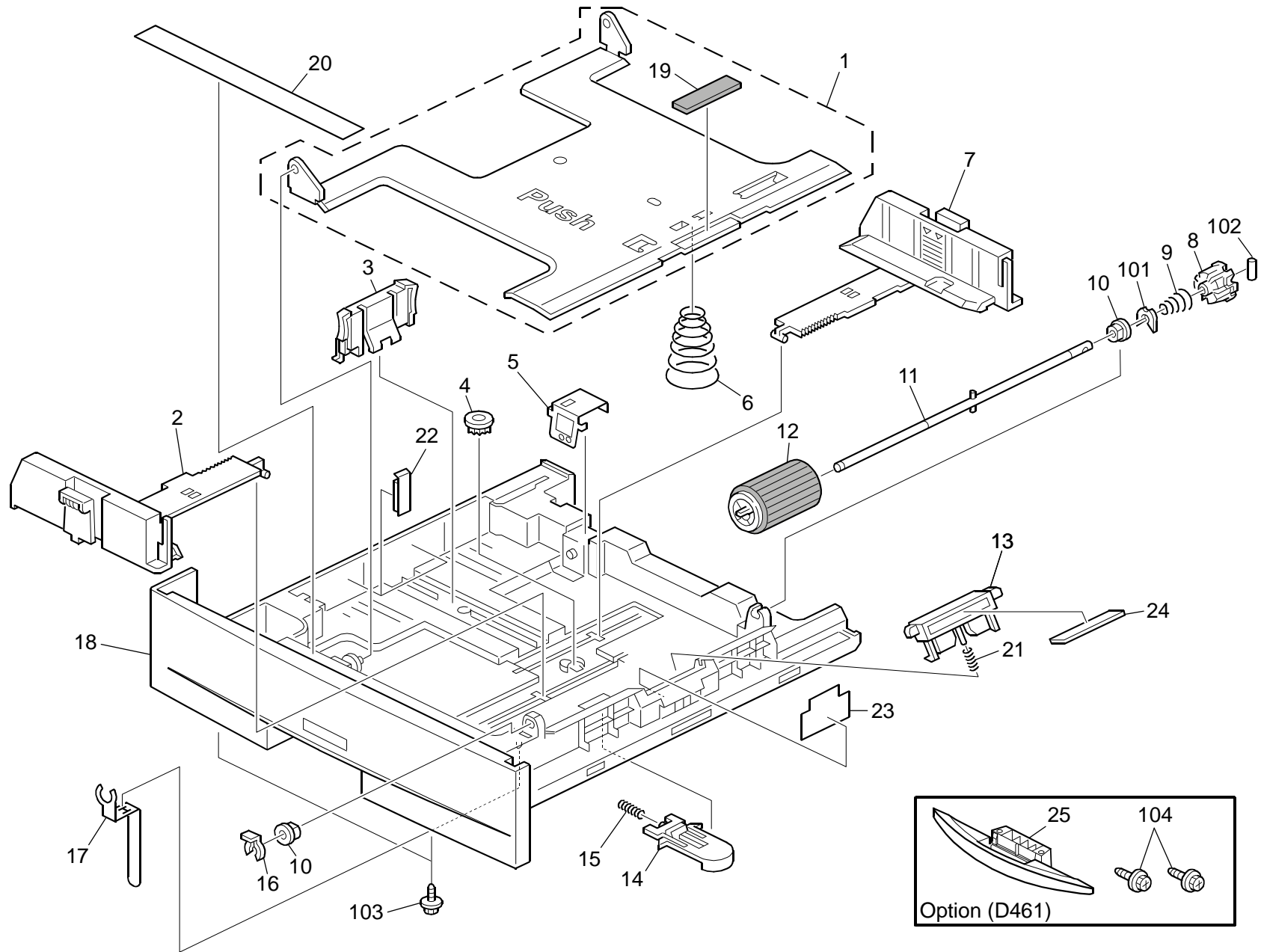


## 6.Transport Section (D115/D116)

Index No.	Part No.	Description	Q'ty Per Assembly
1	B044 2612	Guide Plate	1
2	B044 2624	Registration Roller Shaft	1
3	B044 4618	Spring Holder	1
4	B044 2614	Driven Roller Bushing	1
5	AF02 2139	Driven Roller - Front Rear	2
6	AF02 2140	Middle Driven Roller	1
7	AA06 3409	Right Door Spring	1
<b>8</b>	<b>B262 3802</b>	<b>Transfer Roller</b>	<b>1</b>
9	B044 3990	Positioning Spring - Transfer Roller	2
10	B044 3866	Transfer Roller Spring - Rear	1
11	B044 3865	Transfer Roller Spring - Front	1
12	B044 3860	Transfer Plate	1
13	B044 2615	Pressure Spring	2
14	B044 3870	Transfer Guide	1
15	B044 3894	Density Sensor: Longdist: Adhesion	1
16	D067 5214	Harness: Density Sensor	1
17	B044 2621	Bushing - Driven Roller	1
18	B044 4663	Reverse Guide Plate	1
<b>19</b>	<b>B044 3857</b>	<b>Separation Plate</b>	<b>1</b>
20	B044 4624	Right Door Belt	1
21	B044 4616	Right Cover Lever	1
22	B044 4655	Right Door	1
23	B044 3859	Discharge Plate	1
24	B044 4617	Fusing Unit Decal	1
25	H556 2818	Guide Plate	1
26	B044 3191	Tapping Screw-M3x8	1
27	AF02 2143	Guide Roller	1
28	H556 2820	Mylar Reverse	1
29	AA06 3443	Lever Spring	1
30	H556 4192	Right Guide Plate	1
31	AB01 2033	Gear - 21Z	1
32	H556 4186	Positioning Roller	1
33	H556 4181	Spring Plate	1
34	H556 4185	Transport Roller Holder	2
35	AF02 2152	Transport Driven Roller	2

Index No.	Part No.	Description	Q'ty Per Assembly
36	H556 4190	Transport Roller	1
37	H556 4188	Sheet	1
38	H556 4189	Sheet	2
39	B044 2860	Front Stopper Plate	1
40	B044 2861	Rear Stopper Plate	1
41	5053 0447	Bushing - 6mm	2
42	B129 4293	Tapping Screr - M3x10	1
101	0720 0040E	Retaining Ring - M4	
102	0450 3008N	Tapping Screw - M3x8	

# 7. Paper Cassette (D115/D116)



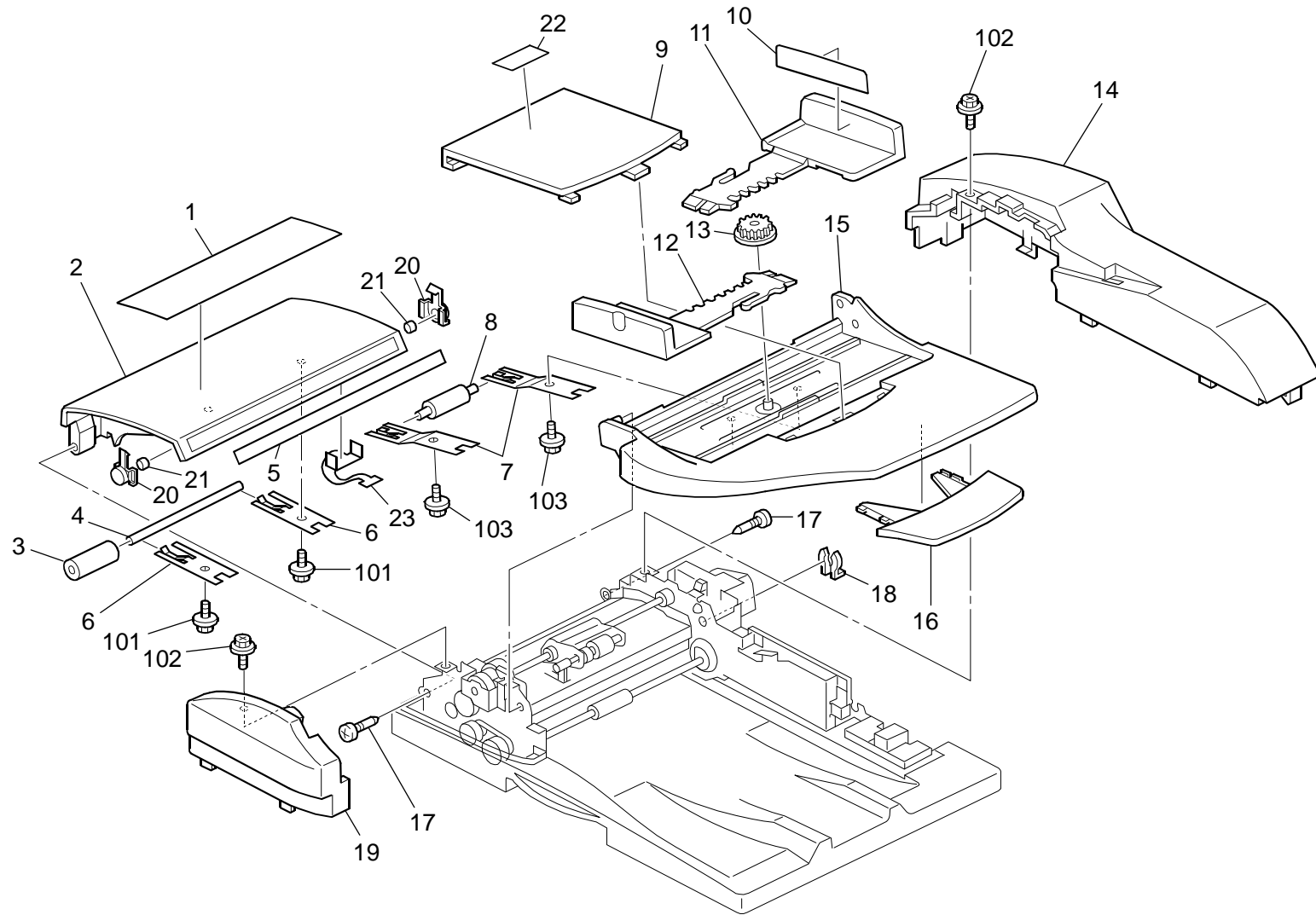


## 7.Paper Cassette (D115/D116)

Index No.	Part No.	Description	Q'ty Per Assembly
*	D067 2511	Paper Tray Unit: NA	1
*	D067 2510	Paper Tray Unit: EU	1
1	B044 2704	Tray Bottom Plate	1
2	B044 2702	Front Side Fence	1
3	B044 2706	End Fence	1
4	G800 3133	Side Fence Gear	1
5	B262 2709	Ground Plate: Tray Bottom Plate	1
6	B044 2716	Pressure Spring	1
7	B044 2703	Rear Side Fence	1
8	B044 2751	Joint - Paper Feed Roller	1
9	B044 2756	Spring - Paper Feed Roller	1
10	AA08 2101	Bushing - 6x10x6	2
11	B044 2758	Shaft - Paper Feed Roller	1
<b>12</b>	<b>AF03 1061</b>	<b>Paper Feed Roller</b>	<b>1</b>
<b>13</b>	<b>D067 2710</b>	<b>Friction Pad: Adhesion</b>	<b>1</b>
14	B044 2713	Stopper	1
15	G020 2599	Spring - Release Lever	1
16	H521 3355	C Ring - Paper Feed Roller	1
17	B262 2711	Ground Plater	1
18	B262 2704	Cover: Paper Tray: NA	1
18	B262 2703	Cover: Paper Tray: EU	1
19	5215 2713	Bottom Plate Pad	1
20	B044 2720	Decal - Cassette Operation	1
21	B044 2717	Pressure Spring	1
22	B044 2715	Sponge - End Fence	2
23	B044 2721	Paper Tray Sheet	1
24	B044 2714	Rubber Plate - Friction Pad	1
25	D461 2705	Grip: Option: Paper Tray	1

Index No.	Part No.	Description	Q'ty Per Assembly
101	0805 0089	Retaining Ring - M4	
102	0622 0120E	Spring Pin - 2x12mm	
103	0450 3008N	Tapping Screw - M3x8	
104	0450 3010N	Tapping Screw - M3x10	

# 8.ARDF 1 (D115/D116)

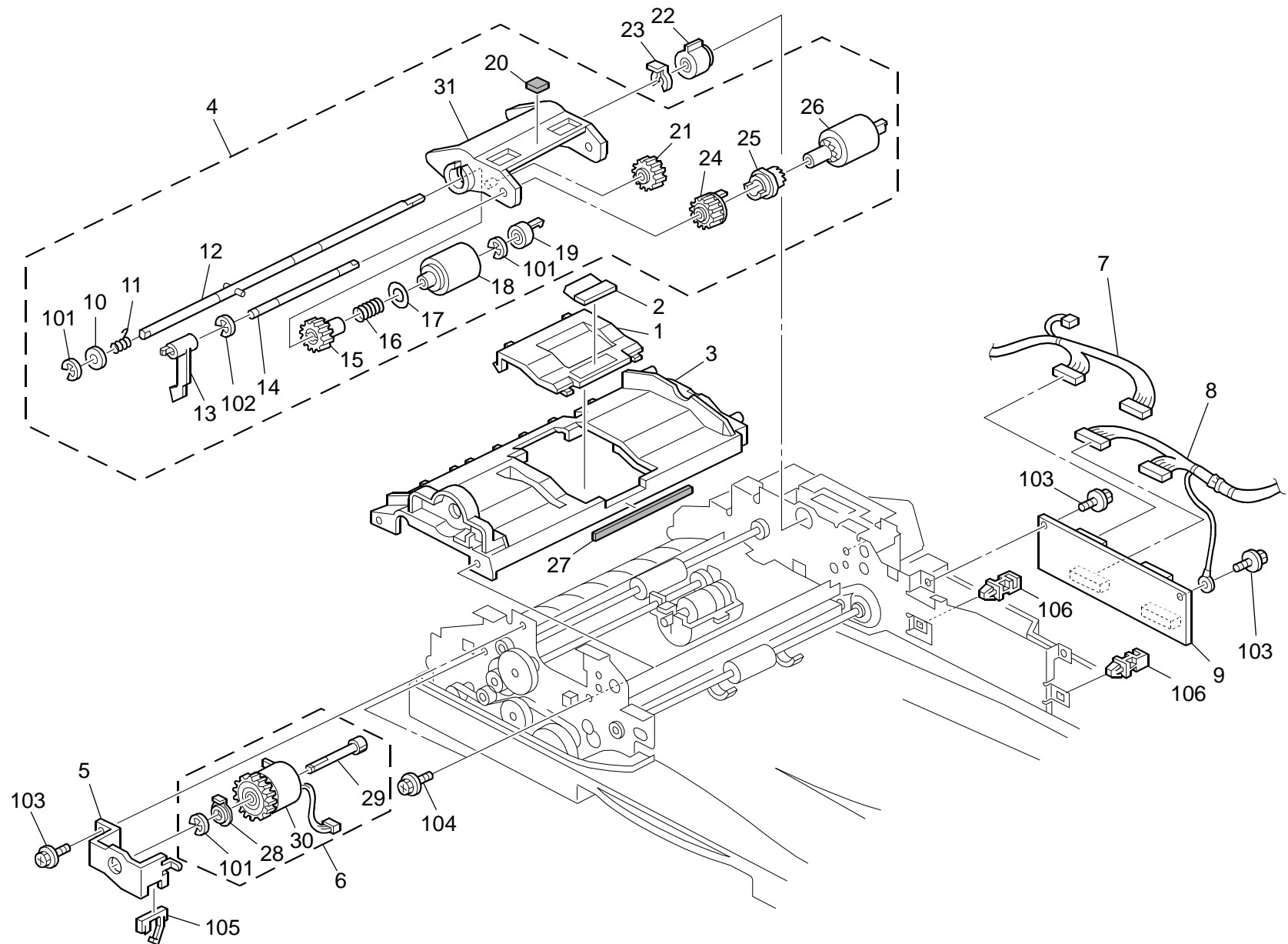


## 8.ARDF 1 (D115/D116)

Index No.	Part No.	Description	Q'ty Per Assembly
1	B872 6011	Decal: Misfeed Removal	1
2	B872 4711	Cover: Open And Close	1
3	AF02 2144	Pressure Roller	1
4	B872 4721	Shaft: Pressure: Dia4	1
5	B872 6031	Decal: Size: Original	1
6	B872 4722	Spring Plate: R0	2
7	B872 4624	Spring Plate	2
8	B872 4616	Roller: Reverse: Pressure	1
9	B872 4615	Cover: Original Table	1
10	B872 6021	Decal: Side Fence	1
11	B872 4613	Guide: Original Table: Rear	1
12	B872 4612	Guide: Original Table: Front	1
13	BB01 3003	Gear - 14Z	1
14	B872 4731	Cover: Rear	1
15	B872 4611	Original Table	1
16	B872 4621	Original Table: Auxiliary	1
17	AA14 3788	Pin: Guide Plate: Paper Feed	2
18	5215 2621	Snap Ring - M6	1
19	B872 4741	Cover: Front	1
20	B872 4726	Case: Magnetic	2
21	G827 1023	Magnetic: Hale: DIA10x7	2
22	A859 2352	Pressure Plate Pad	1
23	B872 4712	Guide Mylar	1

Index No.	Part No.	Description	Q'ty Per Assembly
101	0452 3008N	Tapping Screw - M3x8	
102	0451 3008N	Tapping Screw - M3x8	
103	0450 3006N	Tapping Screw - M3x6	
104	1105 0518	Edge Saddle - LES-1010	

# 9.ARDF 2 (D115/D116)

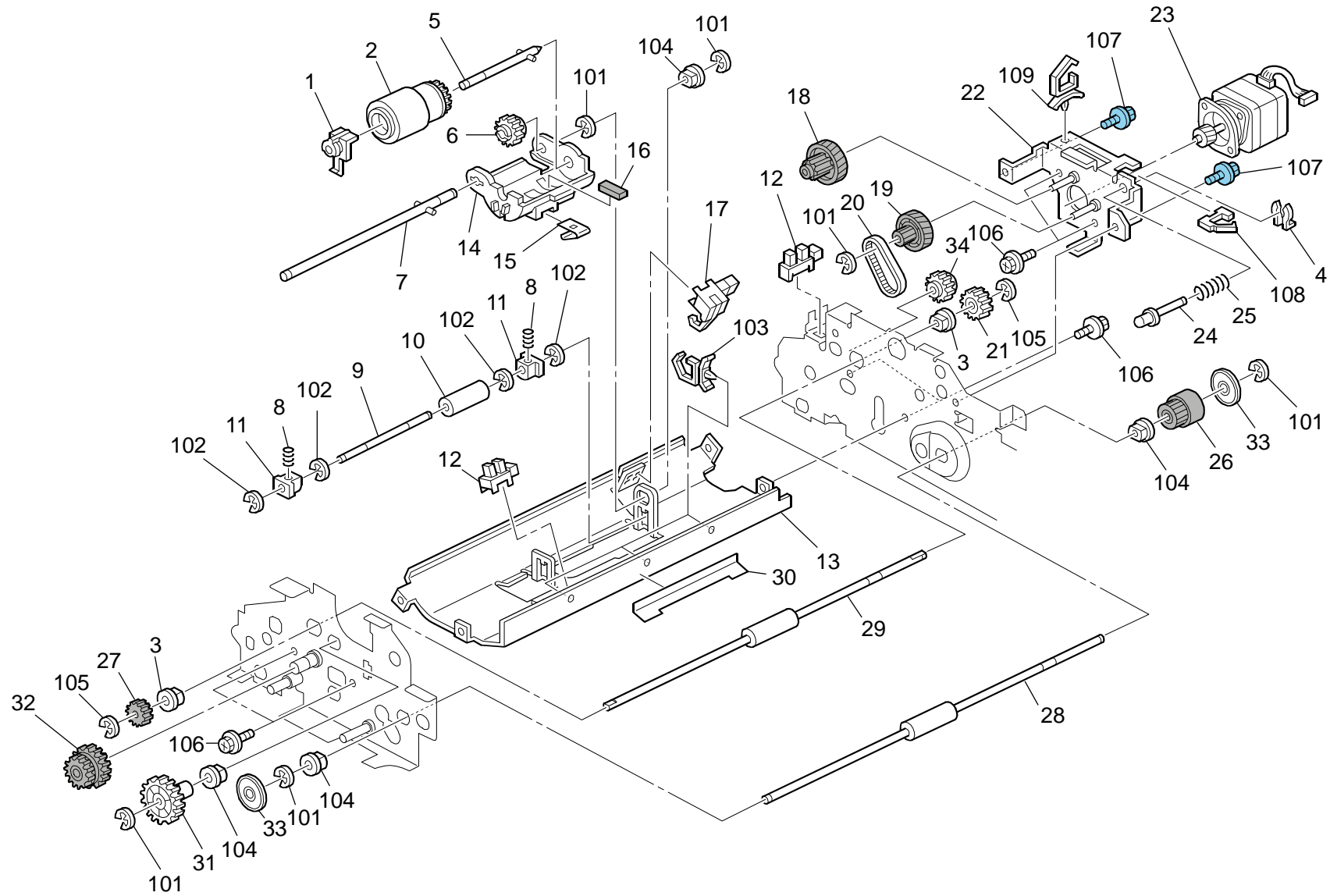


## 9.ARDF 2 (D115/D116)

Index No.	Part No.	Description	Q'ty Per Assembly
1	B872 2312	Guide Plate: Paper Feed: Upper	1
2	H310 1360	Pad: Pickup	1
3	B872 2311	Guide Plate: Paper Feed: Upper	1
4	B872 2510	Feeder Unit	1
5	B872 2412	Bracket: Magnetic Clutch	1
6	B872 2420	Magnetic Clutch: Ass'y	1
7	B872 5240	Harness: Main	1
8	B872 5210	Harness: Interface	1
9	B872 5100	PCB: Main Control	1
10	B872 2524	Spacer: DIA9	1
11	B872 2523	Spring Clutch: Feed: DIA6	1
12	B872 2521	Shaft: Feed: C	1
13	B872 2513	Feeler: Original Sensor	1
14	B872 2514	Shaft: Pickup	1
15	B872 2512	Gear: Z18	1
16	B872 2526	Spring: Roller Clutch	1
17	H072 2220	Spacer - M6x10	1
<b>18</b>	<b>AF03 1062</b>	<b>Feed Roller</b>	<b>1</b>
19	B872 2527	Roller Clutch: Bracket: Feed	1
20	B872 2515	Cushion: Bracket: Feed	1
21	B872 2511	Gear: Idler: Z16	1
22	B044 4961	Oneway Clutch	1
23	5447 2681	Snap Ring	1
24	B872 2528	Gear: Z18	1
25	B872 2529	Collar: Pickup	1
<b>26</b>	<b>AF03 0363</b>	<b>Pickup Roller</b>	<b>1</b>
27	B872 2313	Cushion-Guide Plate	1
28	B872 2421	Bushing: Feed	1
29	B872 2422	Shaft: Coupling: Feed	1
30	AX20 0303	Magnetic Clutch: 245MN.M	1
31	B872 2525	Bracket: Feed	1

Index No.	Part No.	Description	Q'ty Per Assembly
101	0720 0040E	Retaining Ring - M4	
102	0720 0030E	Retaining Ring - M3	
103	0451 3006N	Tapping Screw - 3x6	
104	0450 3008N	Tapping Screw - M3x8	
105	1105 0612	Clamp: EDS-0704L-V0	
106	1105 0436	Locking Support - KGCP-08-0	

# 10.ARDF 3 (D115/D116)

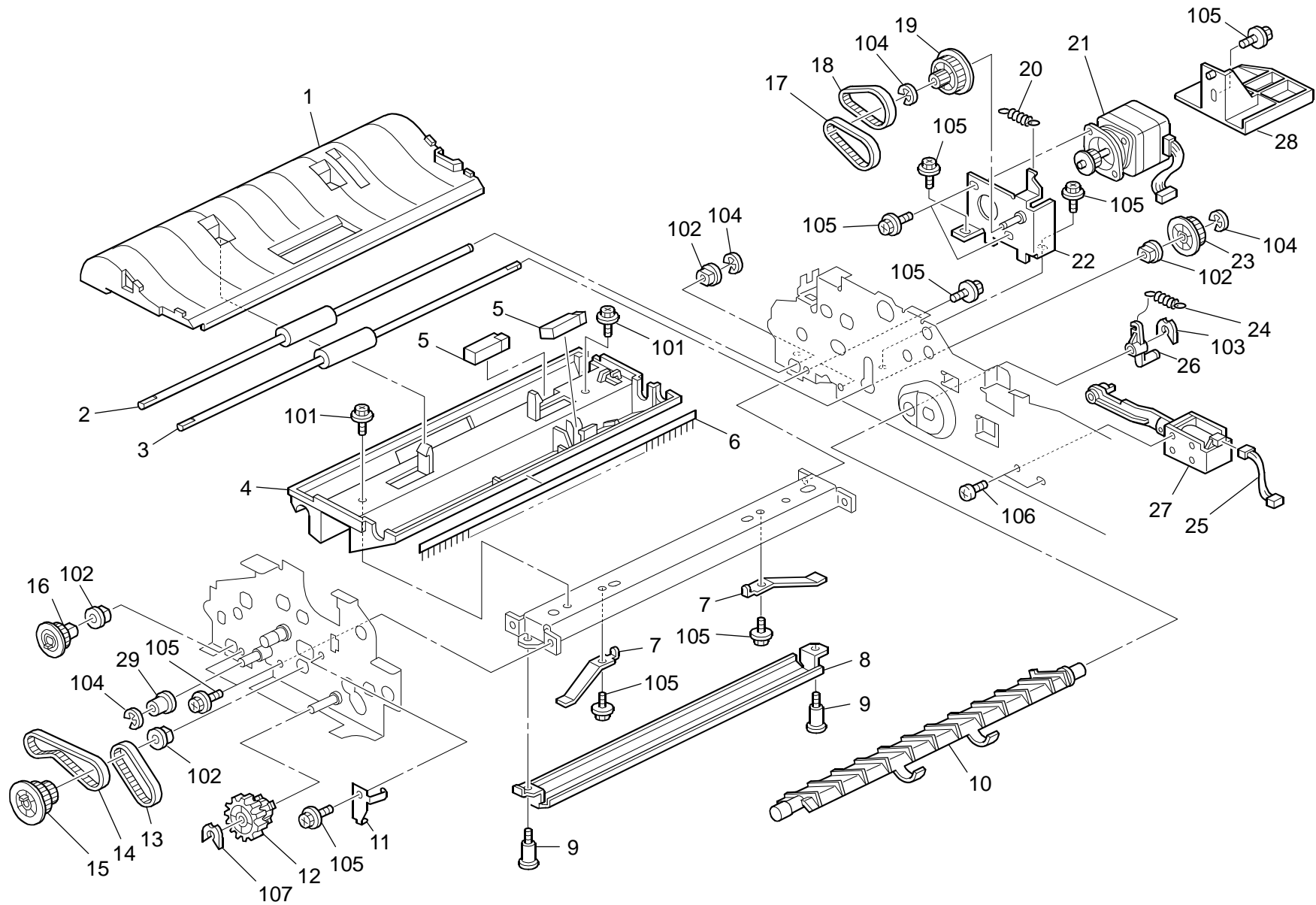


### 10.ARDF 3 (D115/D116)

Index No.	Part No.	Description	Q'ty Per Assembly
1	B872 2222	Holder: Reverse Roller	1
2	<b>AF03 2030</b>	<b>Reverse Roller</b>	<b>1</b>
3	B872 2614	Bushing: R1	2
4	5447 2681	Snap Ring	1
5	B872 2221	Shaft: Reverse Roller	1
6	B872 2223	Gear: Z17	1
7	B872 2213	Shaft: Drive: Separation	1
8	B872 2116	Compression Spring: Reverse: Driven	2
9	B872 2113	Shaft: Reverse: Roller: Driven	1
10	B872 2112	Roller: Driven: Dia14	1
11	AA08 0034	Bushing - 4x5x7	2
12	AW02 0141	Photointerruptor	2
13	B872 2110	Guide Plate: Paper Feed: Lower	1
14	B872 2211	Bracket: Reverse	1
15	B872 2251	Spring Plate: Reverse: Pressure	1
16	B044 4962	Cushion	1
17	AW02 0155	Photointerruptor: Paper Size Sensor	1
18	B872 4116	Gear: Z44/T14	1
19	B872 4113	Gear: Z44/T16	1
20	AA04 3603	Timing Belt: B40S2M128	1
21	B872 2613	Gear: Z22	1
22	B872 4141	Bracket: Motor: Paper Feed: Ass'y	1
23	B872 5810	Stepper Motor DC24V 3.53W	1
24	B872 1121	Stopper: Original Table	1
25	B872 1122	Compression Spring: Stopper	1
26	B872 3233	Torque Limiter: T24: S2M	1
27	B872 2612	Gear: Z19	1
28	B872 3261	Roller: Reverse: Drive	1
29	B872 2611	Roller: R0	1
30	B872 2118	Guide: Reverse: 0.1	1
31	B872 2217	Gear: Z28	1
32	AB01 7591	Gear - 18/30Z	1
33	B789 4257	Pulley Flange	2
34	B872 4121	Gear: Idler: Z17	1

Index No.	Part No.	Description	Q'ty Per Assembly
101	0720 0040E	Retaining Ring - M4	
102	0720 0030E	Retaining Ring - M3	
103	1105 0511	Harness Clamp - LWS-0306ZC	
104	0805 3480	Bushing - 6mm	
105	0720 0060E	Retaining Ring - M6	
106	0451 3006N	Tapping Screw - 3x6	
107	0454 3006Q	Tapping Screw - M3x6	
108	1105 0612	Clamp: EDS-0704L-V0	
109	1105 0516	Clamp	

# 11.ARDF 4 (D115/D116)



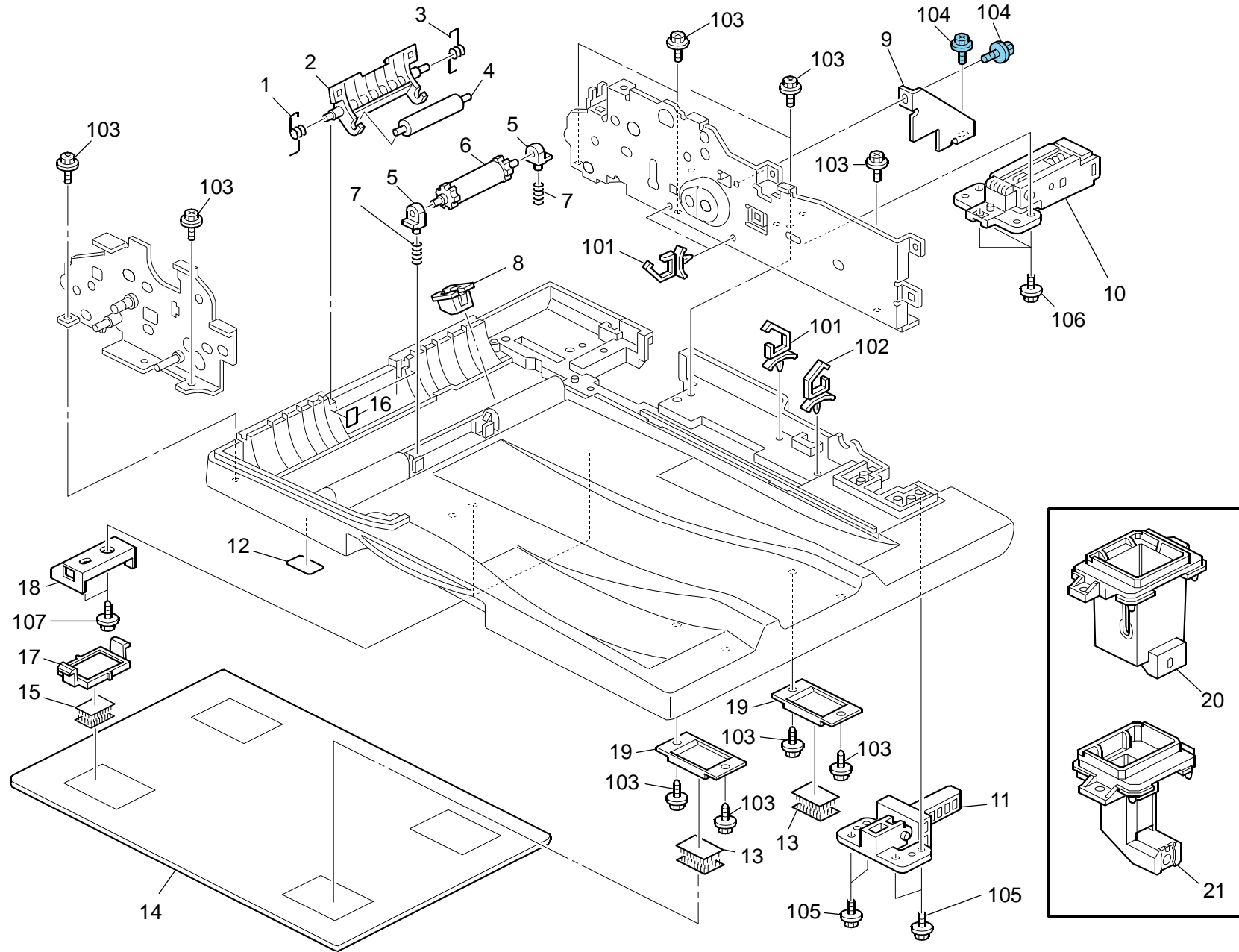


## 11.ARDF 4 (D115/D116)

Index No.	Part No.	Description	Q'ty Per Assembly
1	B872 3121	Guide Plate: Scanning: Upper	1
2	B872 3211	Roller: Scanning: Front: Drive	1
3	B872 3221	Roller: Exit: Drive	1
4	B872 3111	Guide Plate: Scanning: Lower	1
5	AW01 0109	Photo Reflection Sensor: PS117ED1	2
6	B872 3114	Discharge Brush: Lower	1
7	B872 1515	Spring Plate: Guide: Exposure Glass	2
8	B872 1522	Guide: Exposure Glass	1
9	AA14 3544	Screw - M3	2
10	B872 3311	Exchange Powl: Reverse	1
11	B872 3113	Spring Plate: Earth: Exit	1
12	B872 3241	Knob: Pick-up Paper Jam	1
13	AA04 3605	Timing Belt: B40S3M114	1
14	B830 1456	Timing Belt - 40S2M190	1
15	B872 3223	Timing Pulley: T32	1
16	B872 3212	Pulley: T25	1
17	AA04 3604	Timing Belt: B40S2M110	1
18	AA04 3603	Timing Belt: B40S2M128	1
19	B872 4214	Pulley: T16/T44	1
20	B872 4216	Tension Spring: Motor: Transport	1
21	B872 5820	Stepper Motor: DC24V 3.35W	1
22	B872 4210	Bracket: Motor: Transport	1
23	B872 3222	Timing Pulley: T32	1
24	B872 3313	Tension Spring: Exchange Powl	1
25	B872 5250	Harness: Dc Solenoid	1
26	B872 3312	Lever: Exchange Powl	1
27	B872 4310	DC Solenoid: Exchange Powl	1
28	B872 4131	Inner Cover: Left Rear	1
29	A859 4141	Pulley Idler	1

Index No.	Part No.	Description	Q'ty Per Assembly
101	0451 3008N	Tapping Screw - M3x8	
102	0805 3480	Bushing - 6mm	
103	0805 0088	Retaining Ring - M6	
104	0720 0040E	Retaining Ring - M4	
105	0451 3006N	Tapping Screw - 3x6	
106	0353 0040N	Screw - M3x4	
107	0805 0089	Retaining Ring - M4	

# 12.ARDF 5 (D115/D116)

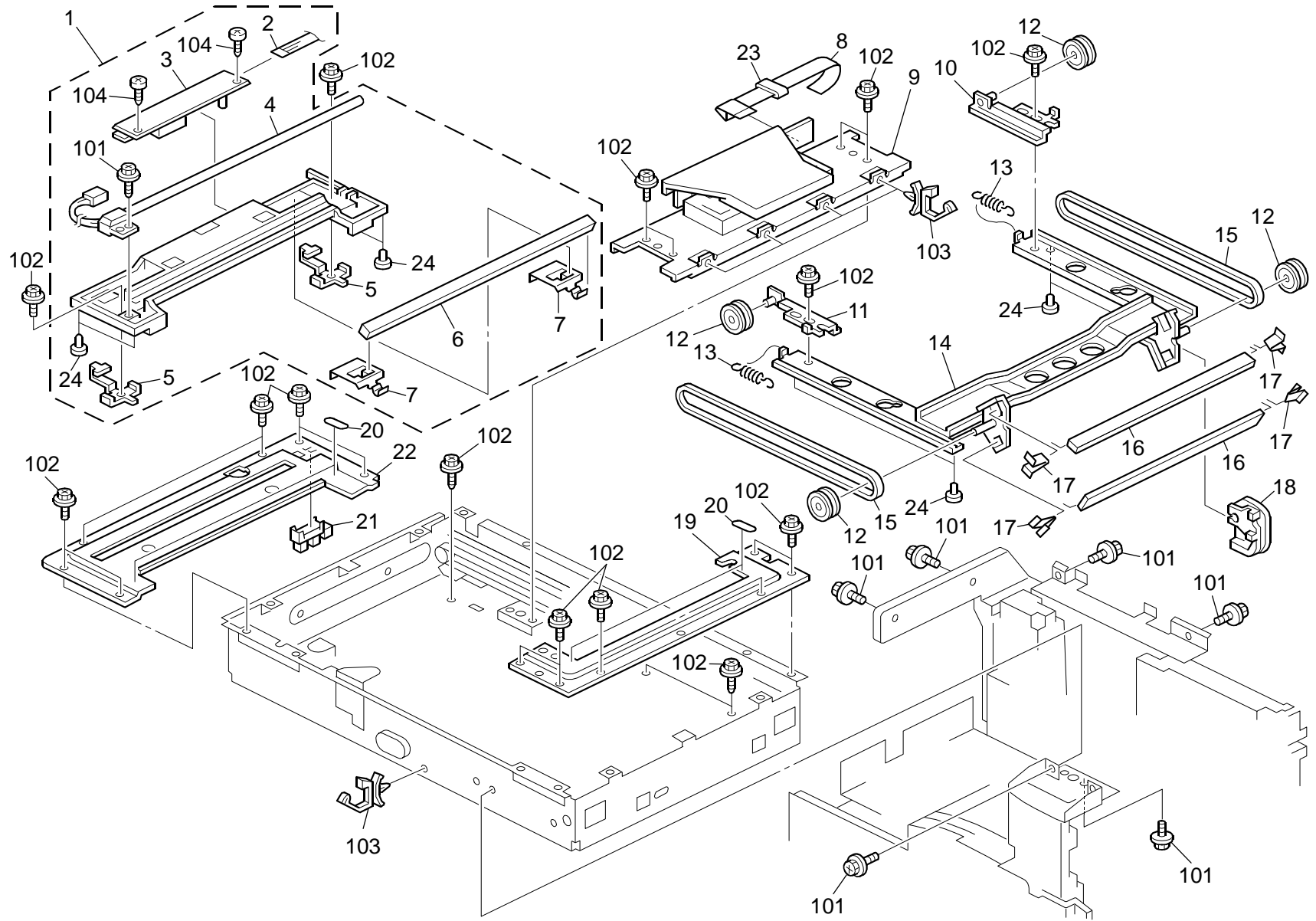


## 12.ARDF 5 (D115/D116)

Index No.	Part No.	Description	Q'ty Per Assembly
1	B872 1923	Torsion Spring: Pressure: Front	1
2	B872 1921	Lever: Driven: Pressure	1
3	B872 1924	Torsion Spring: Pressure: Rear	1
4	B872 1922	Roller: Driven: Scanning: Front	1
5	B872 1934	Bushing: Exit	2
6	B872 1931	Exit Roller: Driven	1
7	B872 1933	Compression Spring: Exit: Driven	2
8	B872 1912	Cap: Paper Feed Sensor: Base	1
9	B872 1114	Bracket: Side Plate: Rear Right	1
10	B872 1414	Hinge: Left	1
11	B872 1421	Hinge: Right	1
12	B872 6041	Decal: Lever: Knob	1
13	B351 4322	Tape: Pressuer Plate	2
14	B872 4512	Pressure Plate	1
15	B872 4513	Tape: Pressure Plate: Left	2
16	B872 1941	Guide: Base: Driven	2
17	B872 1916	Bracket: Pressure Plate	2
18	B872 1915	Holder: Bracket: Pressure Plate	2
19	B872 1914	Spacer: Pressure Plate	2
20	B262 1667	Holder: Hinge: Left	1
21	B262 1668	Holder: Hinge: Right	1

Index No.	Part No.	Description	Q'ty Per Assembly
101	1105 0511	Harness Clamp - LWS-0306ZC	
102	1105 0508	Harness Clamp - LWS-0711	
103	0450 3008N	Tapping Screw - M3x8	
104	0454 3006Q	Tapping Screw - M3x6	
105	0450 3010N	Tapping Screw - M3x10	
106	0451 3010N	Tapping Screw: 3x10	
107	0450 3006N	Tapping Screw - M3x6	

# 13.Optics Section 1 (D115/D116)



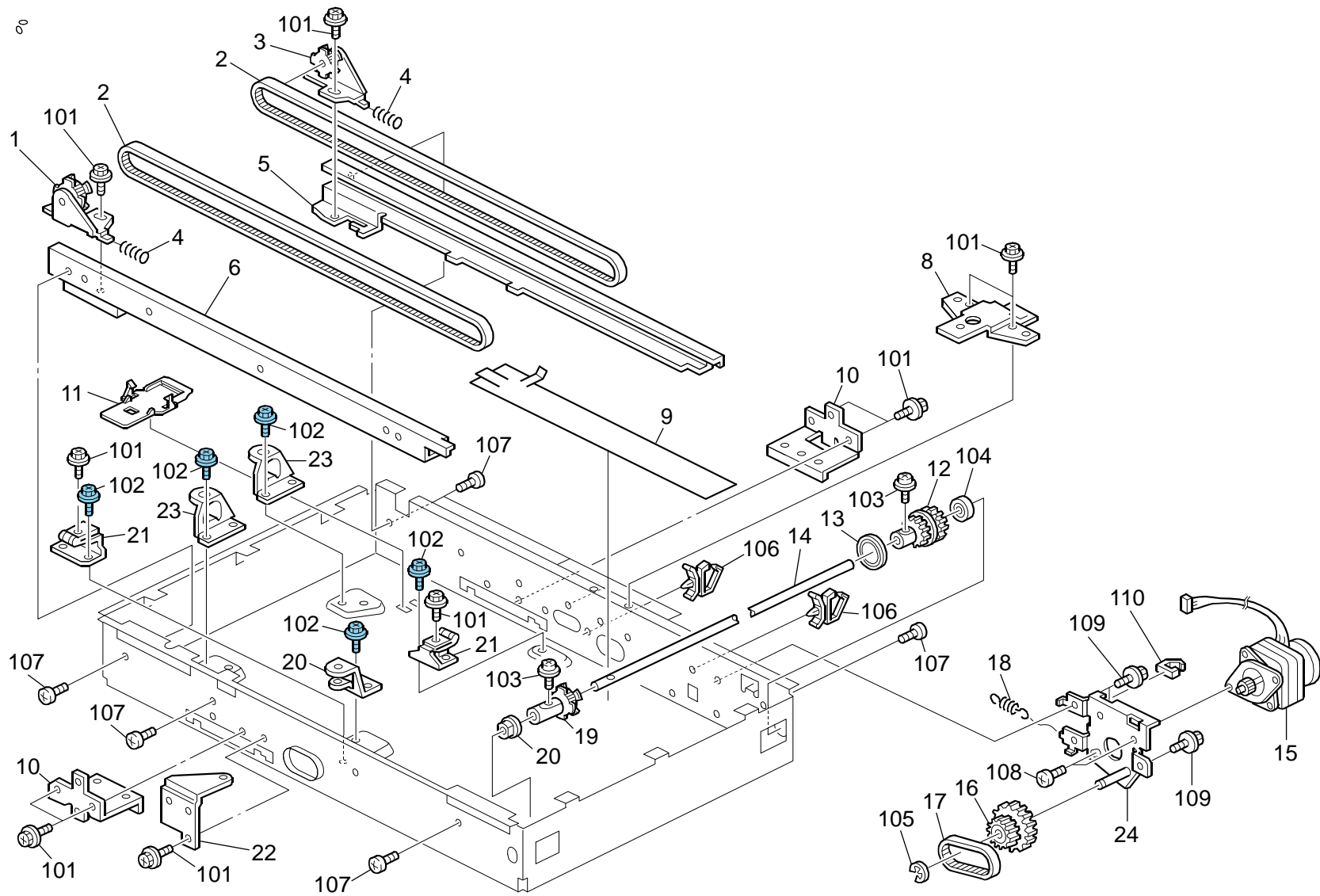
### 13.Optics Section 1 (D115/D116)

Rev. 03/08/2011

Index No.	Part No.	Description	Q'ty Per Assembly
1	B262 1700	Carriage: No.1 Unit	1
2	B262 5237	Flat Cable: Stabilizer	1
3	AZ50 0077	Stabilizer: Xenon Lamp: Chn	1
4	AX50 0096	Xenon Lamp: Dia8	1
5	B044 1715	Timing Belt Holder	2
6	AC03 0145	1st Mirror	1
7	B044 1721	1st Mirror Holder	2
8	B262 5236	Flat Cable: SBU	1
9	B262 1770	Lens Unit	1
10	B262 1745	Bracket: Belt Pulley: Idler: Rear	1
11	B262 1741	Bracket: Belt Pulley: Idler: Front	1
12	B039 1785	Scanner Drive Pulley	4
13	B039 1786	Tension Spring	2
14	D108 1630	Carriage: No. 2: Peen	1
15	AA04 2053	Belt: 3mm	2
16	AC03 0146	2nd Mirror	2
17	B039 1781	2nd Mirror Holder	4
18	B044 1751	Flat Cable Guide	1
19	D108 1662	Supporting Plate: Right Upper	1
20	A250 1824	Exposure Glass Sheet	4
21	GW02 0020	Photointerruptor: LG248NL1	1
22	D108 1661	Bracket: Scale	1
23	H555 5150	Ferrite Core	1
24	B044 1719	Scanner Slider Pin	8

Index No.	Part No.	Description	Q'ty Per Assembly
101	0450 3008N	Tapping Screw - M3x8	
102	0451 3006N	Tapping Screw - 3x6	
103	1105 0511	Harness Clamp - LWS-0306ZC	
104	0452 3010N	Binding Self-Tapping Screw: 3x10	

# 14. Optics Section 2 (D115/D116)



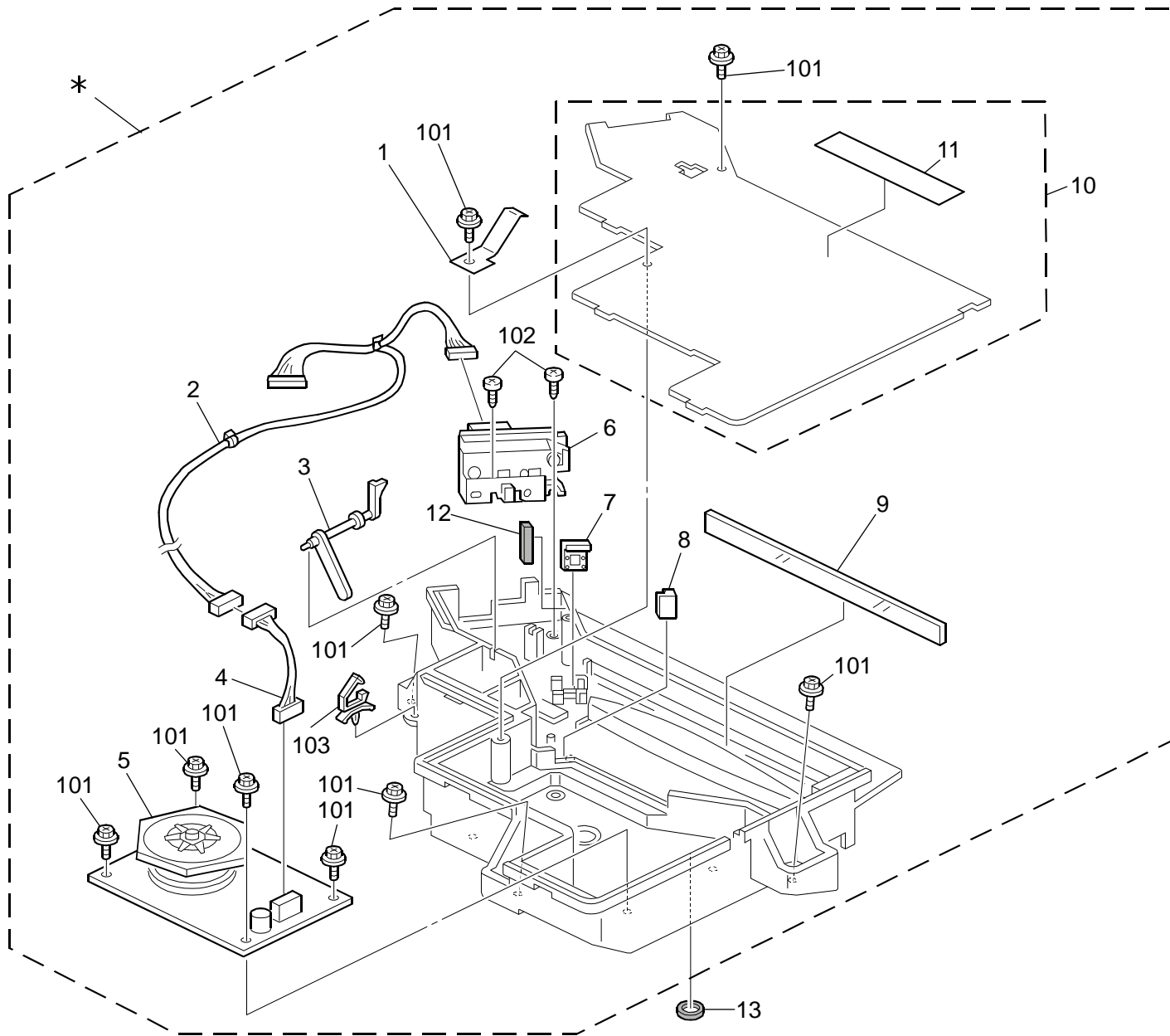
### 14.Optics Section 2 (D115/D116)

Rev. 6/6/2011

Index No.	Part No.	Description	Q'ty Per Assembly
1	B044 1827	Front Idler Bracket	1
2	AA04 3997	Timing Belt: ST55	2
3	B044 1828	Rear Idler Bracket	1
4	B039 1704	Spring - Timing Pulley	2
5	D106 1637	Rail: Rear	1
6	D108 1636	Rail: Front	1
7	GW02 0020	Photointerruptor: LG248NL1	1
8	B262 1665	Bracket: Scale: Inner Back	1
9	B262 1663	Sheet: Flat Cable: Stabilizer	1
10	B044 1663	Lens Bracket	2
11	B262 1677	Holder: Ferrite Core: SBU	1
12	AB03 3095	Drive Pully - 41T/37T	1
13	B039 1695	Flange - Pulley	1
14	B044 1826	Scanner Drive Shaft	1
15	B284 1814	Stepping Motor - DC 5.3W	1
16	B121 1680	Gear - 53Z/60Z	1
17	B121 1696	Timing Belt L147	1
18	B039 1683	Tension Spring - Stepper Motor	1
19	AB03 0711	Drive Pully - 37T	1
20	B262 1670	Bracket: Stopper: Rear	1
21	B044 1661	Belt Clamp Bracket	2
22	B044 1671	Bracket	1
23	B044 1669	Stopper Bracket - 1st Scanner	2
24	D067 1811	Bracket: Stepper Motor: ST-C4: Ass'y	1
25	AA08 2101	Bushing - 6x10x6	1

Index No.	Part No.	Description	Q'ty Per Assembly
101	0451 3006N	Tapping Screw - 3x6	
102	0454 3006Q	Tapping Screw - M3x6	
103	0360 3006P	Screw - M3x6	
104	0740 3906	Ball Bearing - 6x15x5	
105	0720 0060E	Retaining Ring - M6	
106	1105 0511	Harness Clamp - LWS-0306ZC	
107	0453 3006N	Tapping Screw - M3x6	
108	0353 0060N	Bind Screw - M3x6	
109	0451 3008N	Tapping Screw - M3x8	
110	1105 0522	Edge Saddle - LES0510	

# 15.Laser Unit (D115/D116)





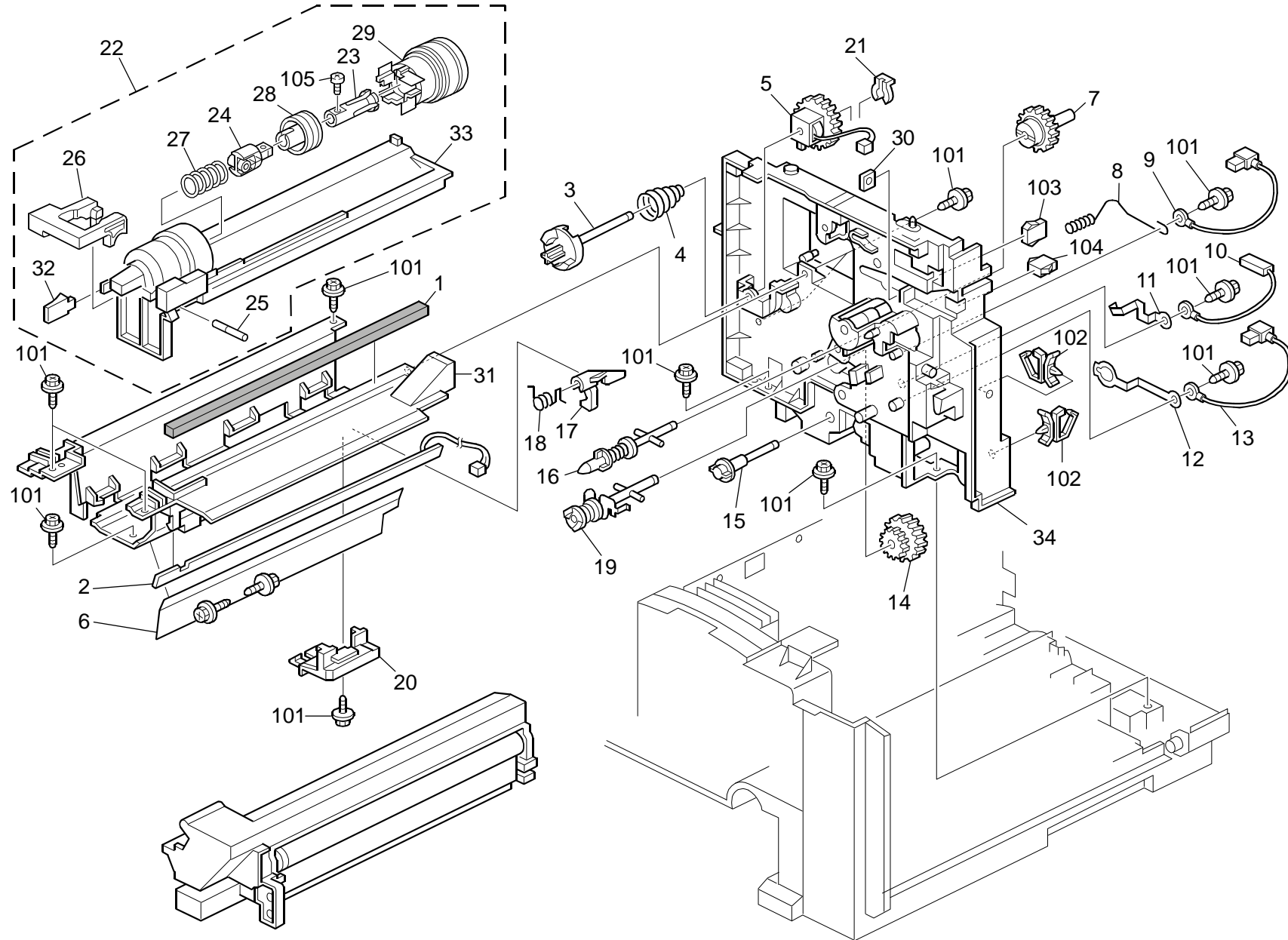
### 15.Laser Unit (D115/D116)

Rev. 12/12/2011

Index No.	Part No.	Description	Q'ty Per Assembly
*	D115 1901	Imaging Unit	1
1	B044 1943	Ground Plate	1
2	D067 5204	Harness: LDDR: Interface	1
3	B044 1944	Shutter Plate	1
4	D067 5207	Harness: DC Polygon Mirror Motor	1
5	G127 1953	Polygon Mirror Motor: DC24V 36W	1
6	D115 1912	Laser Diode Unit: Ass'y	1
7	G025 2730	Cylindrical Lens	1
8	G025 2731	Synchronizing Detector Lens	1
9	B044 1931	Shield Glass	1
10	D108 1941	Cover: Optical Housing: Ass'y	1
11	G029 1982	LD Decal	1
12	B044 1906	Seal - LDU	1
13	B044 1999	Spacer - 5mm	1

Index No.	Part No.	Description	Q'ty Per Assembly
101	0450 3008N	Tapping Screw - M3x8	
102	0452 3010N	Binding Self-Tapping Screw: 3x10	
103	1105 0511	Harness Clamp - LWS-0306ZC	

# 16.PCU Section (D115/D116)

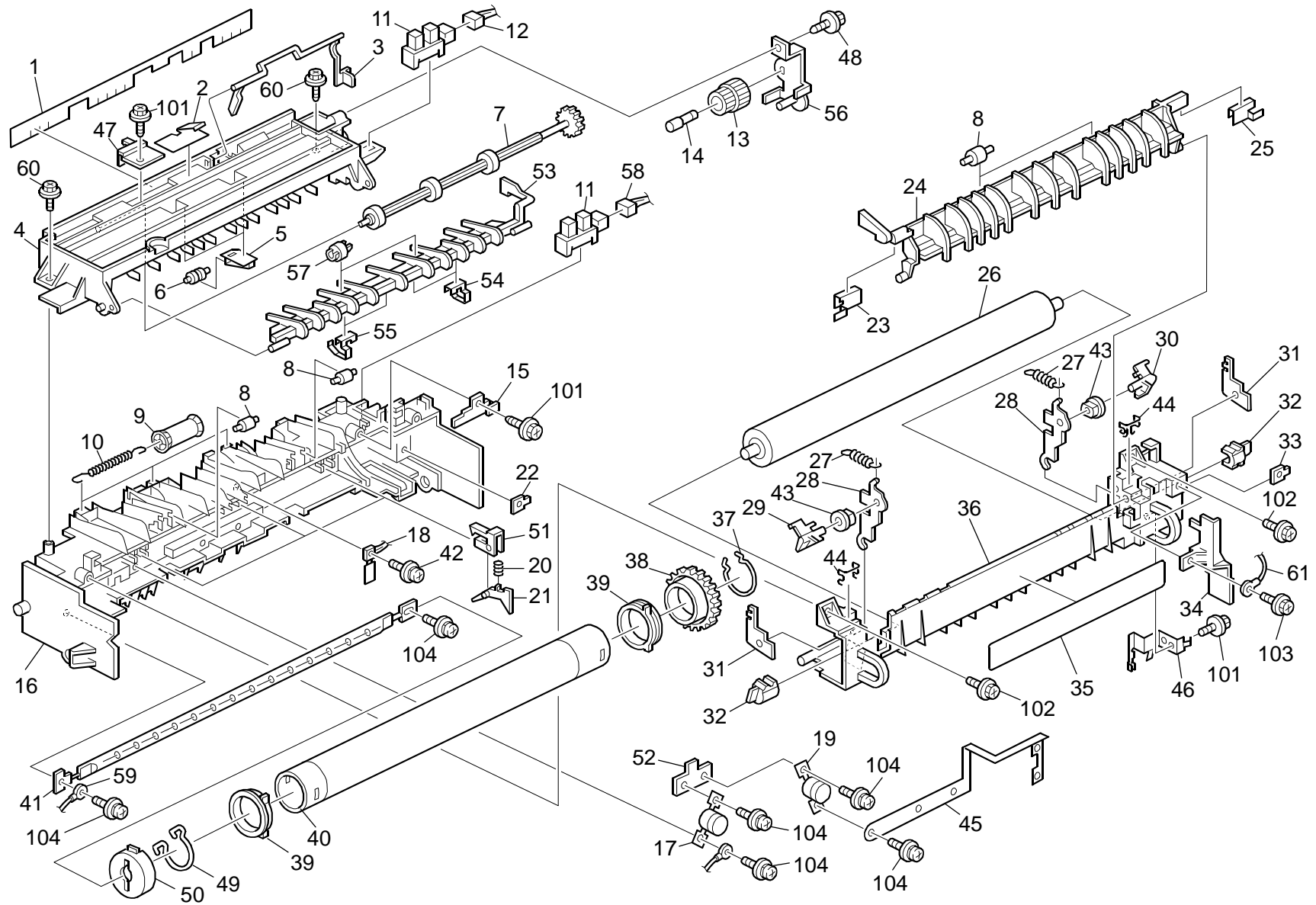


## 16.PCU Section (D115/D116)

Index No.	Part No.	Description	Q'ty Per Assembly
1	B044 1069	Duct Shield	1
2	AX50 0098	Quenching Lamp	1
3	B129 1176	Toner Supply Shaft	1
4	B129 1175	Toner Bottle Drive Spring	1
5	AB04 0023	Spring Clutch: 0.7N.m: Z53	1
6	D067 1068	Sheet: Block Light: Discharge Lamp	1
7	AB01 0358	Gear - 64Z	1
8	AA11 3034	Electrode Plate - Charge	1
9	B262 5220	Harness: High Voltage Line: C	1
10	B262 5222	Harness: High Voltage Line: T	1
11	AA11 3035	Electrode Plate - Transfer	1
12	AA11 3032	Electrode Plate - Development	1
13	B262 5221	Harness: High Voltage Line: B	1
14	AB01 7582	Coupled Gear 22/50Z	1
15	AA14 8651	Shaft - Paper Feed Roller	1
16	AB00 0025	Drum Shaft	1
17	B044 1100	Shutter	1
18	B044 1101	Shutter Spring	1
19	AB00 0027	Development Shaft Ass'y	1
20	B044 1103	Shutter Cover	1
21	G014 3291	Snap Ring - Pick Up	1
22	B262 3020	Toner Supply Unit	1
23	A184 3420	Bottle Chuck	1
24	B044 3426	Chuck Shaft	1
25	B044 3427	Slide Shaft	1
26	B044 3461	Handlw Cam	1
27	A267 3556	Chuck Spring - Tonner Bottle	1
28	B044 3485	Slider Ass'y	1
29	B129 3465	Cover - Toner Supply Unit	1
30	B044 4200	Fusing Plate Nut	1
31	B044 1067	Toner Supply Rail	1
32	B044 3475	Un Lock Grip	1
33	B044 3470	Toner Supply Case Ass'y	1
34	B129 1059	Frame-Drive-C2	1

Index No.	Part No.	Description	Q'ty Per Assembly
101	0450 3008N	Tapping Screw - M3x8	
102	1105 0511	Harness Clamp - LWS-0306ZC	
103	1102 8534	Connector - QR/P17-14S-B	
104	1103 3734	Connector: TM-6-DC1(01)	
105	0452 3008N	Tapping Screw - M3x8	

# 17.Fusing Unit (D115/D116)



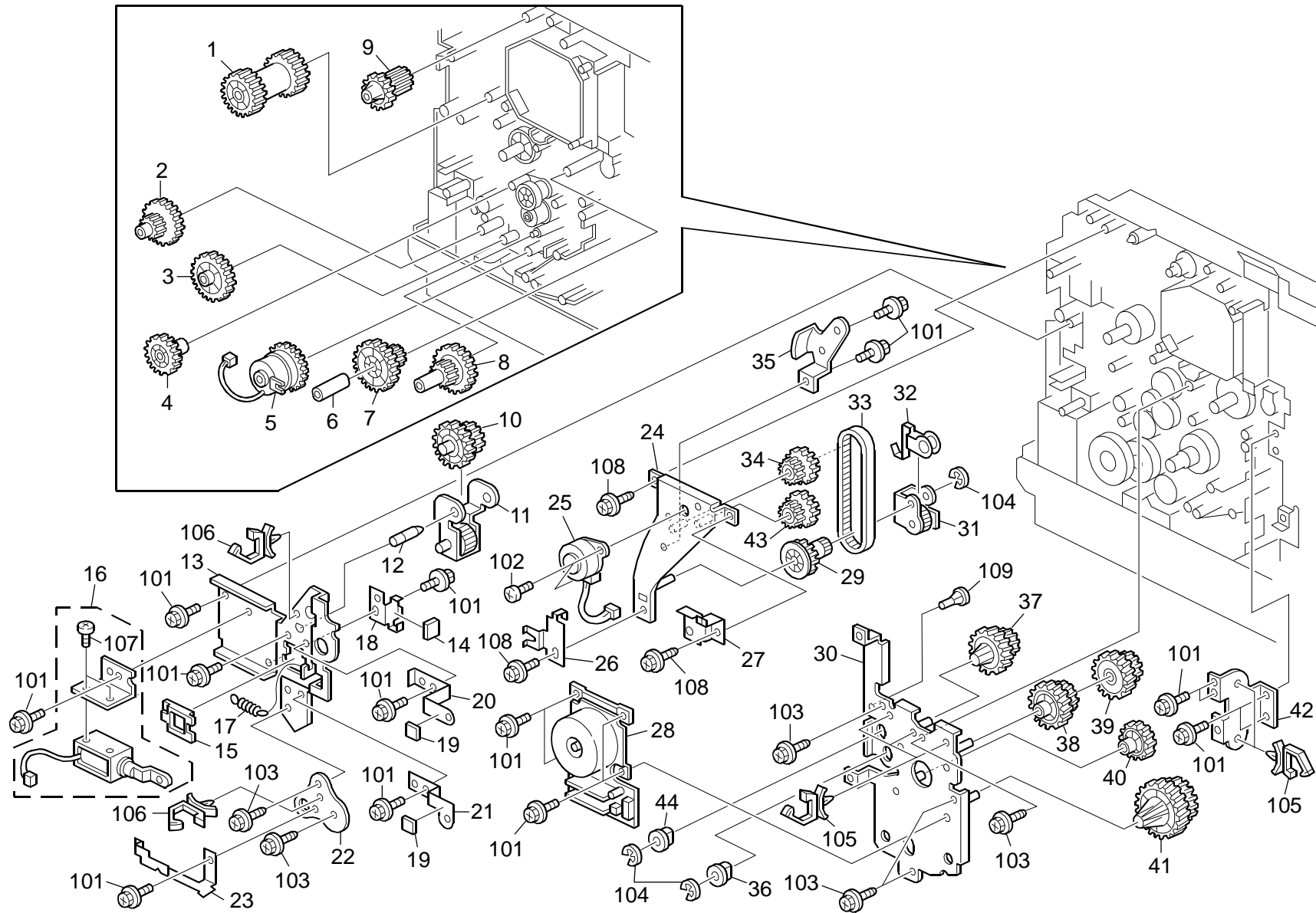
## 17.Fusing Unit (D115/D116)

Rev. 3/5/2012

Index No.	Part No.	Description	Q'ty Per Assembly
*	D067 4018	Fusing Unit: 115V	1
*	D067 4028	Fusing Unit: 230V	1
1	D067 4165	Discharge Brush: Exit	1
2	B044 4166	Spring Plate	1
3	B044 4183	Feeler	1
4	B044 4186	Guide Plate	1
5	B044 4138	Spring	2
6	AF02 2141	Turn-roller	2
7	AF04 0603	Exit Roller	1
8	AF02 2142	Middle Roller	4
9	AF04 0588	Exit Roller	3
10	B044 4154	Exit Spring	3
11	GW02 0020	Photointerruptor: LG248NL1	2
12	D127 5203	Harness: Paper Feed Sensor: Connecting	1
13	H556 2210	Gear - 19/28Z	1
14	H556 2222	Stud	1
15	B129 4143	Electrode Plate Cover	1
16	B129 4102	Fusing Frame	1
17	AW11 0037	Thermostat - 160C	1
18	AW10 0088	Thermistor - Fusing	1
19	AW11 0038	Thermostat - 170C	1
20	B044 4155	Spring - Pickoff Pawl	3
<b>21</b>	<b>AE04 4059</b>	<b>Stripper Pawls</b>	<b>3</b>
22	B044 4135	Lamp Holder	1
23	B044 4117	Front Spring Plate	1
24	H556 2206	Guide Plate	1
25	B044 4118	Rear Spring Plate	1
<b>26</b>	<b>AE02 0164</b>	<b>Pressure Roller</b>	<b>1</b>
27	B044 4152	Pressure Spring	2
28	B044 4130	Pressure Lever	2
29	B044 4141	Pressure Release Lever - Front	1
30	B044 4146	Pressure Release Lever - Rear	1
31	B044 4132	Side Plate	2
32	AE03 1035	Pressure Roller Bushing	2
33	B044 4200	Fusing Plate Nut	1

Index No.	Part No.	Description	Q'ty Per Assembly
34	B044 4201	Fusing Harness Cover	1
35	B044 4161	Warning Decal	1
36	B044 4104	Pressure Frame	1
37	B044 4150	Hot Roller Stopper	1
38	B044 4170	Fusing Gear	1
<b>39</b>	<b>AE03 1044</b>	<b>Fusing Bushing</b>	<b>2</b>
<b>40</b>	<b>AE01 1086</b>	<b>Hot Roller</b>	<b>1</b>
41	AX44 0202	Heater - 120V/800W	1
41	AX44 0203	Heater - 230V: 750W	1
42	B129 4294	Screw-M3x13	1
43	B044 4131	Bushing-Pressure Release	2
44	B044 4153	Cushion	2
45	B129 4134	Electrode Plate Fusing	1
46	B044 4136	Ground Plate	1
47	B044 4401	Paper Holder Stand	1
48	B044 3191	Tapping Screw-M3x8	1
49	B044 4156	Front Hot Roller Stopper	1
50	B044 4112	Hot Roller Cap	1
51	B044 4179	Holder - Pickoff Pawl	1
52	B129 4195	Thermostat Plate Nut	1
53	H556 2208	Gate Plate	1
54	H556 2201	Reargate Plate Guide	2
55	H556 2202	Front Gate Plate Guide	1
56	H556 2219	Gear Bracket	1
57	H556 2220	Roller	2
58	D127 5251	Harness: Sensor: Gate	1
59	B262 5209	Harness: AC: Fusing: NA	1
59	B262 5208	Harness: AC: Fusing: EU	1
60	B129 4293	Tapping Screr - M3x10	2
61	D067 5235	Ground Wire: Cassette	1
101	0450 3008N	Tapping Screw - M3x8	
102	0451 3006N	Tapping Screw - 3x6	
103	0451 3008N	Tapping Screw - M3x8	
104	0954 3008N	Screw - M3x8	

# 18. Drive Section (D115/D116)



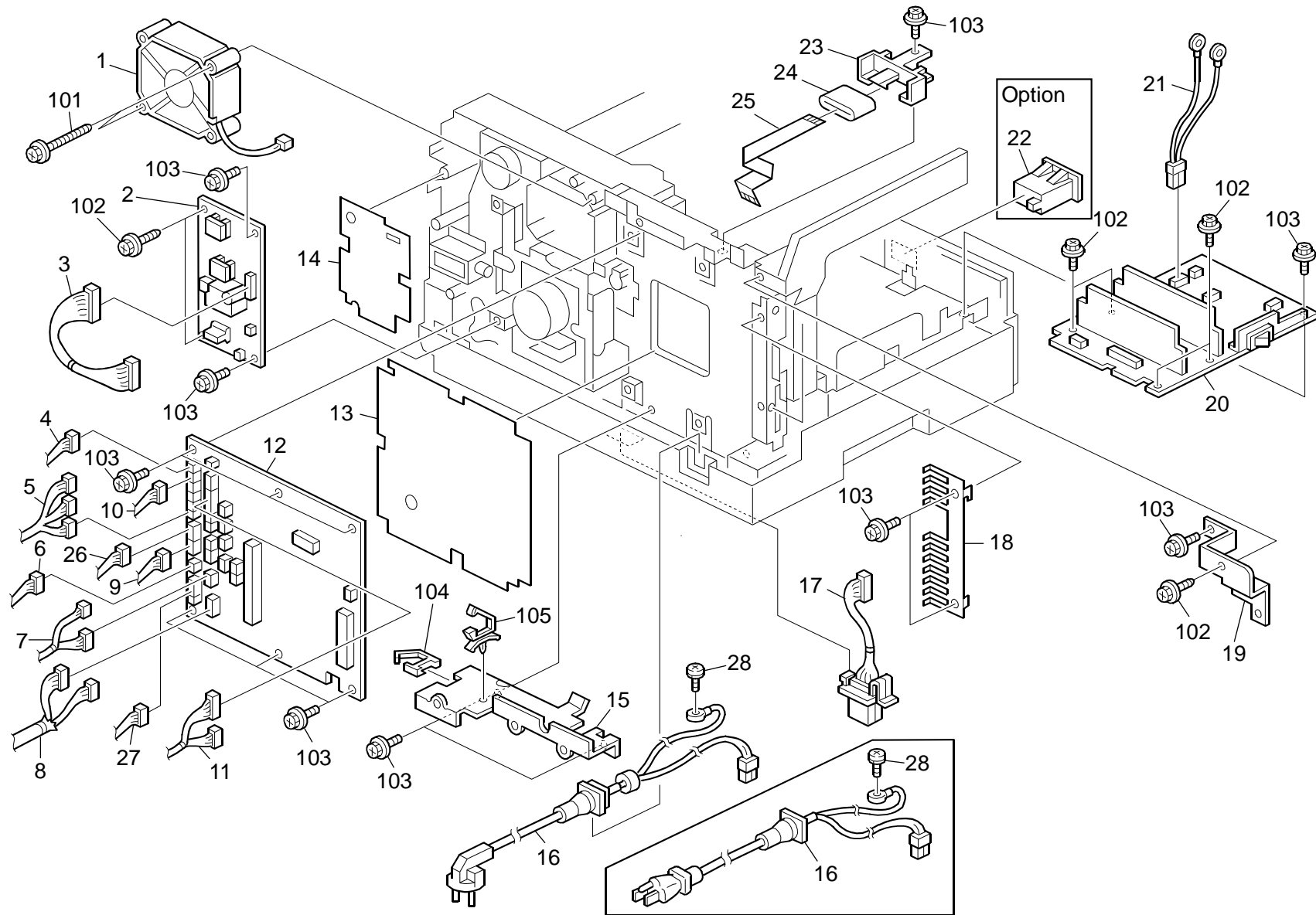
## 18. Drive Section (D115/D116)

Rev. 03/08/2011

Index No.	Part No.	Description	Q'ty Per Assembly
1	BB01 3006	Gear - 27Z	1
2	AB01 7586	Coupled Gear - 43/53Z	1
3	AB01 1438	Gear - 41Z	1
4	AB01 1492	Gear - 29Z	1
5	AX20 0309	Magnetic Clutch: 0.25N.m: Z43	1
6	AA13 2217	Collar	1
7	AB01 7587	Coupled Gear - 17/44Z	1
8	AB01 7585	Coupled Gear - 17/44Z	1
9	AB01 7629	Gear - 19/21Z	1
10	AB01 7663	Gear - 18/40Z	1
11	B129 1164	Fusing Bracket Ass'y	1
12	AA14 3804	Fusing Shaft 5	1
13	B129 1110	Rear Drive Plate 2	1
14	AA16 1157	Bracket Cushion	1
15	B129 1056	Shaft Spacer	1
16	B129 1161	Lever DC Solenoid Ass'y	1
17	AA06 2326	Spring - Swivel Fusing	1
18	B129 1129	Plate Cushion	1
19	B044 1139	Damping Insulation	2
20	AA12 0124	Ground Plate - Drum Drive	1
21	AA12 0104	Ground Plate - Registration	1
22	B129 1157	Side Plate - Manual Feed	1
23	B129 2820	Ground Plate - Manual Feed	1
24	H556 4172	Duplex Drive Bracket	1
25	AX06 0336	Stepper Motor-Duplex-DC24V 14.9W	1
26	B129 4703	Ground Plate - Lower Duplex Bracket	1
27	B262 4701	Spring Plate: Discharge	1
28	AX06 0344	Brushless Motor: DC24V: 20W	1
29	AB01 7628	Gear - 19/38Z	1
30	D108 1635	Plate: Drive: Rear: 1: Ass'y	1
31	H556 4183	Swivel Bracket	1
32	H556 4178	Spring Plate	1
33	AA04 3582	Timing Belt	1
34	AB03 2071	Pulley - 24Z	1
35	H556 4180	Plate Bracket	1

Index No.	Part No.	Description	Q'ty Per Assembly
36	5424 4142	Bushing - Cleaning Roller	1
37	AB01 7661	Gear - 29/69Z	1
38	AB01 7660	Gear - 44/67Z	1
39	AB01 7662	Gear - 17/67Z	1
40	AB01 0362	Gear - 49Z	1
41	AB01 7659	Gear - 43/91Z	1
42	B044 1158	Bracket	1
43	AB01 7627	Gear - 28/43Z	1
44	5053 0447	Bushing - 6mm	1
101	0451 3006N	Tapping Screw - 3x6	
102	0453 3006N	Tapping Screw - M3x6	
103	0450 3010N	Tapping Screw - M3x10	
104	0720 0040E	Retaining Ring - M4	
105	1105 0487	Harness Clamp	
106	1105 0511	Harness Clamp - LWS-0306ZC	
107	0353 0040N	Screw - M3x4	
108	0450 3008N	Tapping Screw - M3x8	
109	1105 0499	Support Spacer - M3x29	

# 19. Electrical Section (D115/D116)





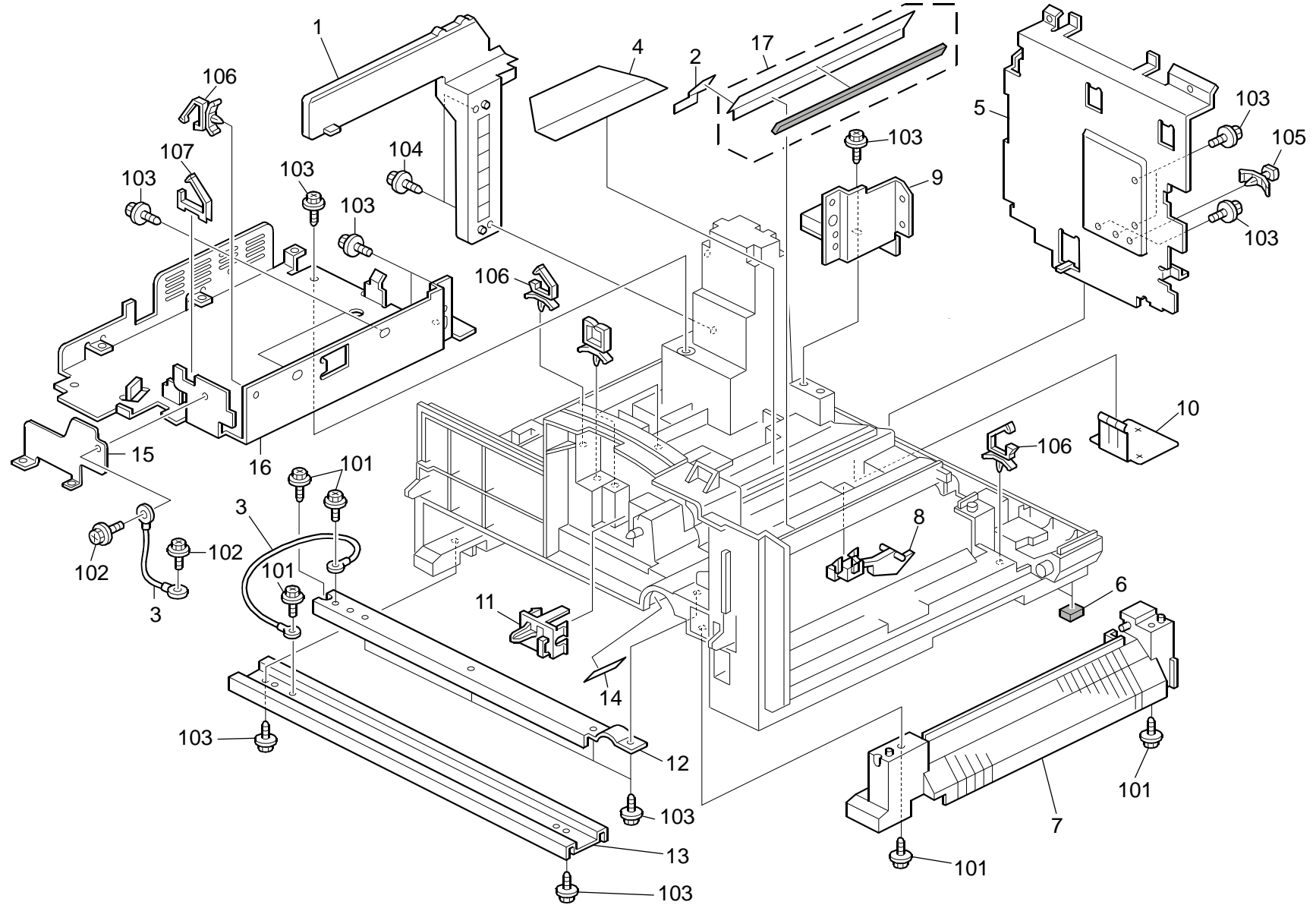
## 19.Electrical Section (D115/D116)

Rev. 9/23/2011

Index No.	Part No.	Description	Q'ty Per Assembly
1	GX64 5734	Fan Motor: MM80 DC24V 3.12W	1
2	AZ32 0152	Power Pack BCT	1
3	D067 5217	Harness: HVP	1
4	D067 5201	Harness: HPS	1
5	D067 5202	Harness: Paper Feed Sensor	1
6	D067 5213	Harness: Registration Sensor	1
7	D067 5200	Harness: Toner: Connecting	1
8	D067 5206	Harness: Power Supply Unit	1
9	D067 5216	Harness: Motor: Main	1
10	D067 5205	Harness: Operation Sub-unit	1
11	D067 5210	Harness: Door Switch	1
12	D116 5101	PCB: BICU: GW: EXP: Ass'y <b>[TSB#001]</b>	1
12	D116 5105	PCB: BICU: GW: EXP: Ass'y <b>[TSB#001]</b>	1
13	B129 1307	BICU Insulating Sheet	1
14	AA17 0026	Insulating Sheet Power Pack	1
15	D108 1361	Shading Plate: BICU	1
16	D067 5021	Power Supply Cord: NA	1
16	B262 5023	Power Supply Cord: Stopper: EU: Ass'y	1
17	D067 5223	Harness: Paper Feed Table: Connecting	1
18	B129 1313	Spring Plate - Gwctl	1
19	B129 1303	Rear Cover Bracket	1
20	AZ23 0226	Power Supply Unit: S-C3: 100V	1
20	AZ23 0249	Power Supply Unit: 200V	1
21	B262 5209	Harness: AC: Fusing: NA	1
21	B262 5208	Harness: AC: Fusing: EU	1
22	AX31 0049	Total Counter: 7Fig: 24V	1
23	B262 5805	Holder: Ferrite Core	1
24	H555 5150	Ferrite Core	1
25	B262 5236	Flat Cable: SBU	1
27	D067 5223	Harness: Paper Feed Table: Connecting	1
28	AA14 3592	Screw- M4x6	1

Index No.	Part No.	Description	Q'ty Per Assembly
101	0450 3035N	Tapping Screw: 3x35	
102	0450 3008N	Tapping Screw - M3x8	
103	0451 3006N	Tapping Screw - 3x6	
104	1105 0522	Edge Saddle - LES0510	
105	1105 0487	Harness Clamp	

## 20.Frame Section (D115/D116)



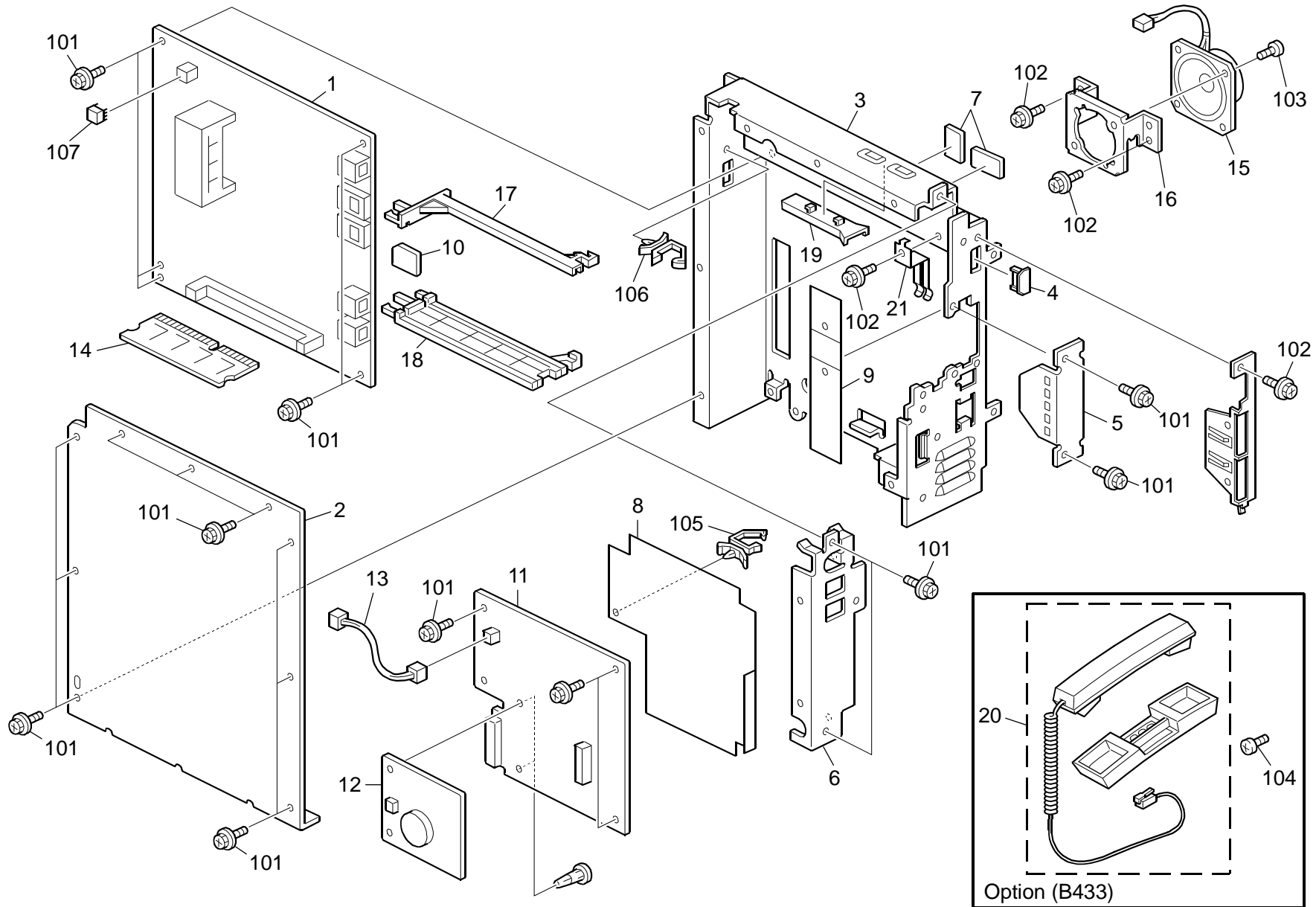
## 20.Frame Section (D115/D116)

Rev. 12/12/2011

Index No.	Part No.	Description	Q'ty Per Assembly
1	B044 1060	Scanner Unit Stay	1
2	B262 2623	Guide - Paper Dust Remover	1
3	D067 5235	Ground Wire: Cassette	2
4	B044 1998	Plate: Harness: Imaging Unit	1
5	B129 1300	BICU Bracket	1
6	G512 3029	Rubber Foot	2
7	B044 2651	Right Rail	1
8	B044 5300	Paper End Sensor	1
9	B129 1060	PSU Stay	1
10	B044 1066	Ground Plate - Option Tray	1
11	B044 1105	Positioning Plate - Toner Bottle	1
12	D108 1071	Stay: Base	1
13	D108 1072	Stay: Base: Paper Feed: Lower	1
14	B044 2202	Mylar-Quenching Lamp	1
15	B129 1315	Separation Bracket	1
16	D108 1362	Bracket: Power Supply Unit	1
17	B044 2617	Holder Ass'y - Paper Dust Removal	1

Index No.	Part No.	Description	Q'ty Per Assembly
101	0450 3008N	Tapping Screw - M3x8	
102	0954 3008N	Screw - M3x8	
103	0451 3006N	Tapping Screw - 3x6	
104	0450 3010N	Tapping Screw - M3x10	
105	1105 0409	Card Spacer- 6.4mm	
106	1105 0511	Harness Clamp - LWS-0306ZC	
107	1105 0522	Edge Saddle - LES0510	

## 21.Extension Box (D115/D116)



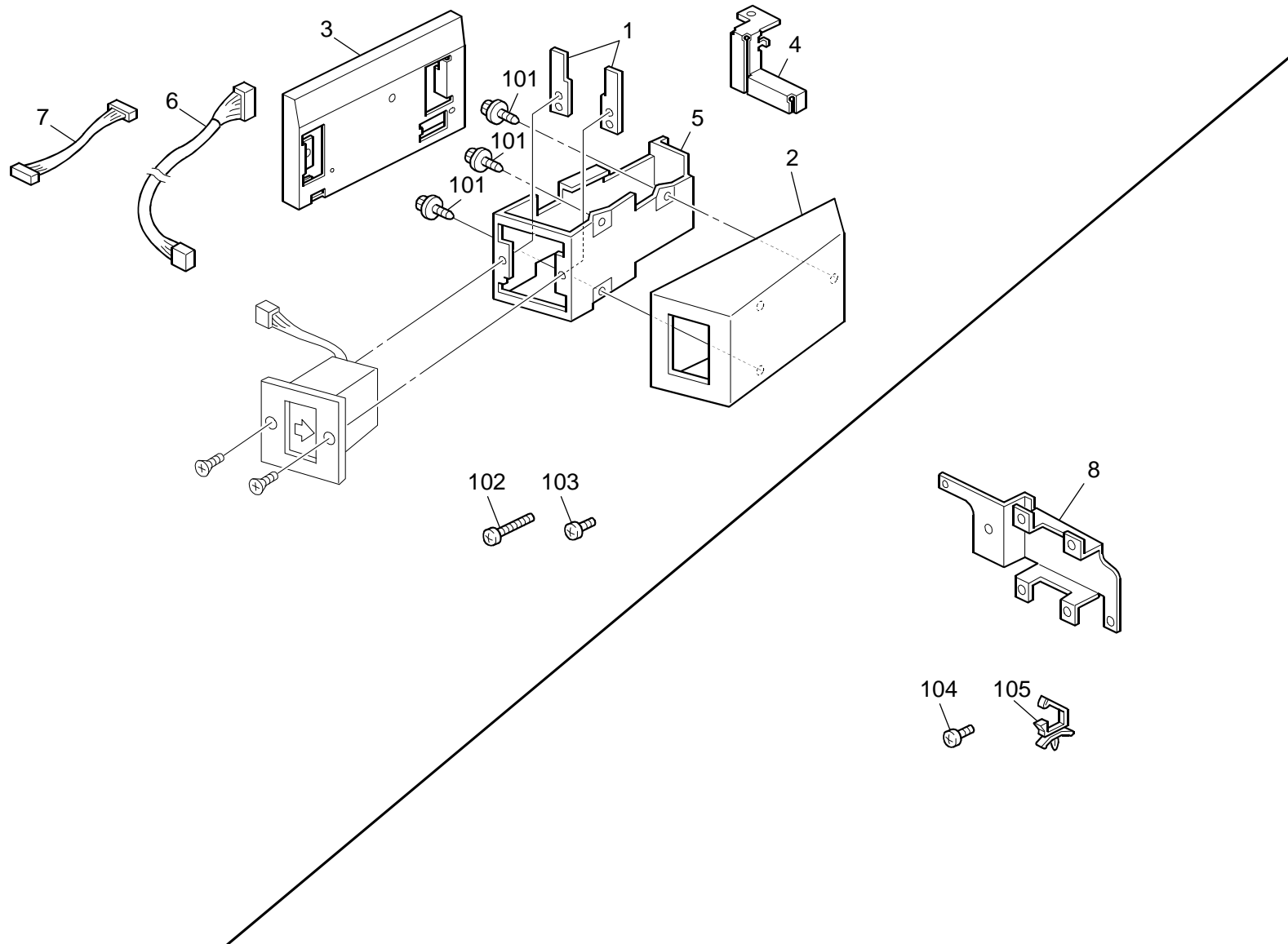
## 21.Extension Box (D115/D116)

Rev. 06/06/2012

Index No.	Part No.	Description	Q'ty Per Assembly
1	D115 5712	PCB: CTL: Sub-Ass'y	1
2	D067 1330	Shadeing Plate: GWCTL	1
3	D067 1301	Bracket: PCB: GW	1
4	D009 5871	Connector Cap - USB-A	1
5	B129 1309	Interface Cover	1
6	D067 1308	Bracket: Fax Control Unit	1
7	H547 4203	Guide Plate Sponge	2
8	D067 1314	Insulating Sheet: Fax Control Unit	1
9	D067 1313	Insulating Sheet: CTL	1
10	D115 5099	SD-Card: SPF: Ass'y	1
11	D401 5132	PCB: GWFCU3: NA: Ass'y	1
11	D401 5134	PCB: GWFCU3: EU: Ass'y	1
12	D116 5180	PCB: MBU: Ass'y	1
13	D068 5230	Speaker Interface Harness	1
14	B584 5124	PCB: DDR1-DIMM-32B: 128 MB: Ass'y	1
14	B585 5140	PCB: DDR1-DIMM-32B: 512 MB: Ass'y	1
15	B284 5050	Speaker: B284	1
16	B262 1311	Bracket: Speaker	1
17	D009 5899	Right Rail - Small	1
18	D009 5891	Left Rail - Fax Control Unit	1
19	H556 5857	OPIF Rail	1
20	B433 5003	Hand Set: MLG: 390: EXP: Ass'y	1
21	D067 1311	Ground Plate: USB	1
22	D067 1310	Ground Plate: Expand: CTL	1

Index No.	Part No.	Description	Q'ty Per Assembly
101	0451 3006N	Tapping Screw - 3x6	
102	0360 3006N	Screw - M3x6	
103	0453 3006N	Tapping Screw - M3x6	
104	0353 0080N	Screw: M3x8	
105	1105 0511	Harness Clamp - LWS-0306ZC	
106	1105 0487	Harness Clamp	
107	1407 6732	RAM: FM25L512-PGC (REV.AC): 512K	

## 22. Accessory (D115/D116)

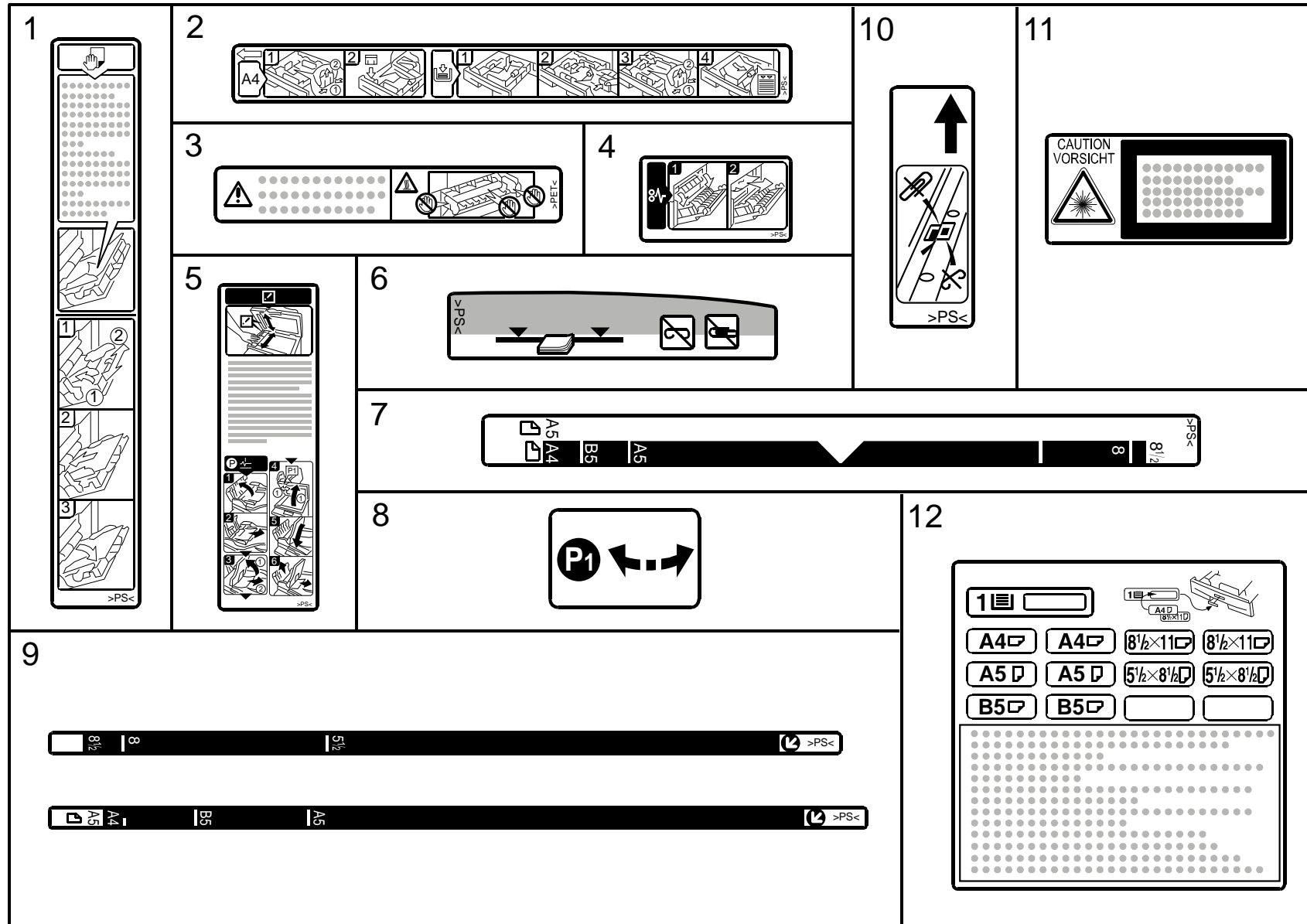


## 22.Accessory (D115/D116)

Index No.	Part No.	Description	Q'ty Per Assembly
1	A509 1063	Plate Nut	2
2	A509 1260	Holder Cover	1
3	B262 1318	Bracket: Key Counter Holder	1
4	B262 1319	Cover: Harness: Key Counter Holder	1
5	B262 1324	Bracket: Key Counter Holder	1
6	D067 5261	Harness: Key Counter	1
7	D067 5299	Harness: Key Counter: Connecting	1
8	B262 1310	Bracket: MKB	1

Index No.	Part No.	Description	Q'ty Per Assembly
101	0450 4008N	Tapping Screw - M4x8	
102	0354 0160N	Screw: M4x16	
103	0353 0080N	Screw: M3x8	
104	0353 0060N	Bind Screw - M3x6	
105	1105 0508	Harness Clamp - LWS-0711	

## 23. Decals And Documents (D115/D116)





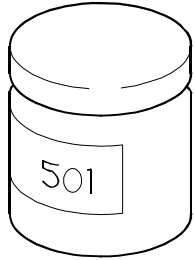
### 23.Decals And Documents (D115/D116)

Index No.	Part No.	Description	Q'ty Per Assembly
1	AA00 3011	Manual Feed Decal	1
2	B044 2720	Decal - Cassette Operation	1
3	B044 4161	Warning Decal	1
4	B044 4617	Fusing Unit Decal	1
5	B872 6011	Decal: Misfeed Removal	1
6	B872 6021	Decal: Side Fence	1
7	B872 6031	Decal: Size: Original	1
8	B872 6041	Decal: Lever: Knob	1
9	B872 6061	Decal: Scale: Left: NA	1
9	B872 6071	Decal: Scale: Left: EU	1
10	B872 6081	Decal: Caution Chart	1
11	G029 1982	LD Decal	1
12	H555 2790	Decal - Paper Size	1

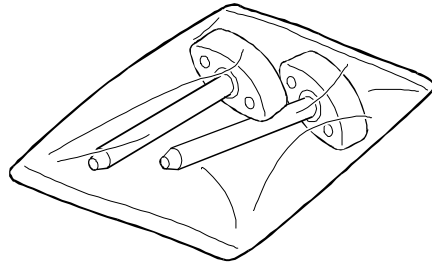
Index No.	Part No.	Description	Q'ty Per Assembly

## 24.Special Tools (D115/D116)

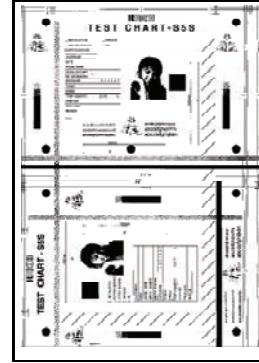
1



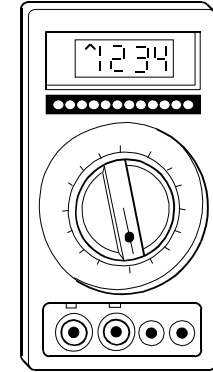
2



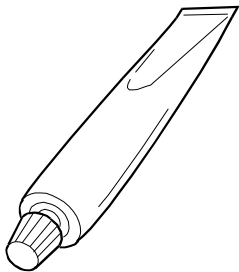
3



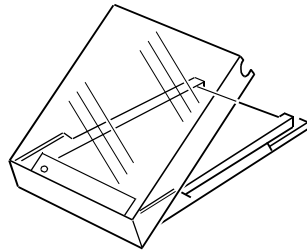
4



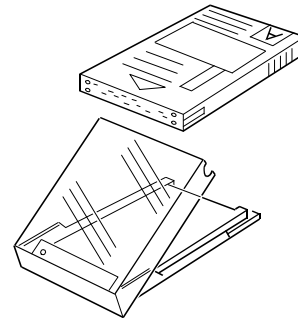
5



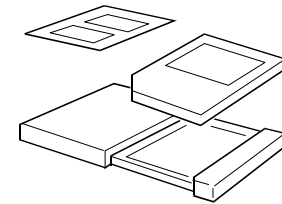
6



7



8



## 24.Special Tools (D115/D116)

Index No.	Part No.	Description	Q'ty Per Assembly
1	5203 9502	Grease 501	1
2	A184 9501	Optics Adjustment Tool	1
3	A292 9500	Test Chart - S5S (10 pcs/set)	1
4	VSSM 9000	Digital Multimeter-Fluke187	1
5	A257 9300	Grease - Barrierta S552R	1
6	N803 1000	Case - Flash Memory Card	1
7	N803 6701	Flash Memory Card-4MB	1
8	B645 5010	SD - Card: Ass'y	1

Index No.	Part No.	Description	Q'ty Per Assembly



**D115/D116  
PARTS INDEX**

This section shows you the part numbers and descriptions used on this machine.

## PM Parts Index

Section Name	Part No.	Description in Service Manual	Description in Parts Catalog	Q'ty Per Assembly	Page and Index No.
Transport Section (D115/D116)	B262 3802	Transfer Roller	Transfer Roller	1	17 - 8
	B044 3857	Separation Plate	Separation Plate	1	17 - 19
Paper Cassette (D115/D116)	AF03 1061	Paper Feed Roller	Paper Feed Roller	1	19 - 12
	D067 2710	Friction Pad: Adhesion	Friction Pad: Adhesion	1	19 - 13
ARDF 2 (D115/D116)	AF03 1062	Feed Roller	Feed Roller	1	23 - 18
	AF03 0363	Pickup Roller	Pickup Roller	1	23 - 26
ARDF 3 (D115/D116)	AF03 2030	Reverse Roller	Reverse Roller	1	25 - 2
	AE04 4059	Stripper Pawls	Stripper Pawls	3	39 - 21
	AE02 0164	Pressure Roller	Pressure Roller	1	39 - 26
	AE03 1044	Fusing Bushing	Fusing Bushing	2	39 - 39
	AE01 1086	Hot Roller	Hot Roller	1	39 - 40





## Parts Index

Part No.	Description	Page and Index No.
D115 1252	Cover: Exit: EU	7 - 8
D115 1262	Cover: Exit: NA/AA	7 - 8
D115 1901	Imaging Unit	35 - *
D115 1912	Laser Diode Unit: Ass'y	35 - 6
D115 5099	SD-Card: SPF: Ass'y	47 - 10
D115 5711	PCB: CTL: Ass'y	47 - 1
D115 7500	Model Name Plate: D115: RIC	7 - 3
D115 7504	Model Name Plate: D115: LAN: AA	7 - 4
D116 5101	PCB: BICU: GW: EXP: Ass'y	42 - 12
D116 5180	PCB: Mbu: Ass'y	47 - 12
D116 7500	Model Name Plate: D116: RIC	7 - 3
D116 7504	Model Name Plate: D116: LAN: AA	7 - 4

Part No.	Description	Page and Index No.
A184 3420	Bottle Chuck	37 - 23
A184 9501	Optics Adjustment Tool	53 - 2
A250 1824	Exposure Glass Sheet	31 - 20
A257 9300	Grease - Barrierta S552R	53 - 5
A267 3556	Chuck Spring - Tonner Bottle	37 - 27
A292 9500	Test Chart - S5S (10 pcs/set)	53 - 3
A509 1063	Plate Nut	49 - 1
A509 1260	Holder Cover	49 - 2
A859 2352	Pressure Plate Pad	21 - 22
A859 4141	Pulley Idler	27 - 29
B039 1683	Tension Spring - Stepper Motor	33 - 18
B039 1695	Flange - Pulley	33 - 13
B039 1704	Spring - Timing Pulley	33 - 4
B039 1781	2nd Mirror Holder	31 - 17
B039 1785	Scanner Drive Pulley	31 - 12
B039 1786	Tension Spring	31 - 13
B044 1060	Scanner Unit Stay	45 - 1
B044 1061	Base Bracket	45 - 12
B044 1062	Base Bracket - Paper Feed	45 - 13
B044 1063	Scanner Stud	15 - 2
B044 1066	Ground Plate - Option Tray	45 - 10
B044 1067	Toner Supply Rail	37 - 31
B044 1069	Duct Shield	37 - 1
B044 1100	Shutter	37 - 17
B044 1101	Shutter Spring	37 - 18
B044 1102	Registration Electrode Plate	15 - 10
B044 1103	Shutter Cover	37 - 20
B044 1105	Positioning Plate - Toner Bottle	45 - 11
B044 1139	Damping Insulation	41 - 19
B044 1158	Bracket	41 - 42
B044 1258	Shielding Plate	7 - 7
B044 1278	Right Upper Cover	7 - 17
B044 1290	Sheet - Operation Instructions	7 - 18
B044 1661	Belt Clamp Bracket	33 - 21
B044 1663	Lens Bracket	33 - 10

Part No.	Description	Page and Index No.
B044 1669	Stopper Bracket - 1st Scanner	33 - 23
B044 1671	Bracket	33 - 22
B044 1715	Timing Belt Holder	31 - 5
B044 1719	Scanner Slider Pin	31 - 24
B044 1721	1st Mirror Holder	31 - 7
B044 1734	2nd Scanner	31 - 14
B044 1751	Flat Cable Guide	31 - 18
B044 1826	Scanner Drive Shaft	33 - 14
B044 1827	Front Idler Bracket	33 - 1
B044 1828	Rear Idler Bracket	33 - 3
B044 1847	Shoulder Screw	7 - 2
B044 1906	Seal - LDU	35 - 12
B044 1931	Shield Glass	35 - 9
B044 1941	Laser Unit Cover	35 - 10
B044 1943	Ground Plate	35 - 1
B044 1944	Shutter Plate	35 - 3
B044 1998	Plate: Harness: Imaging Unit	45 - 4
B044 1999	Spacer - 5mm	35 - 13
B044 2202	Mylar-Quenching Lamp	45 - 14
B044 2602	Turn Roller	15 - 15
B044 2603	Registration Feeler	15 - 13
B044 2604	Front Bushing	15 - 11
B044 2605	Rear Bushing	15 - 7
B044 2612	Guide Plate	17 - 1
B044 2614	Driven Roller Bushing	17 - 4
B044 2615	Pressure Spring	17 - 13
B044 2616	Support Bushing	15 - 14
B044 2617	Holder Ass'y - Paper Dust Removal	45 - 17
B044 2621	Bushing - Driven Roller	17 - 17
B044 2622	Spacer - Registration	15 - 30
B044 2624	Registration Roller Shaft	17 - 2
B044 2651	Right Rail	45 - 7
B044 2653	Guide Plate - Paper Feed	15 - 3
B044 2654	Paper Feedguide	15 - 4
B044 2656	Guide Plate Stopper	15 - 29

Part No.	Description	Page and Index No.
B044 2702	Front Side Fence	19 - 2
B044 2703	Rear Side Fence	19 - 7
B044 2704	Tray Bottom Plate	19 - 1
B044 2706	End Fence	19 - 3
B044 2713	Stopper	19 - 14
B044 2714	Rubber Plate - Friction Pad	19 - 24
B044 2715	Sponge - End Fence	19 - 22
B044 2716	Pressure Spring	19 - 6
B044 2717	Pressure Spring	19 - 21
B044 2720	Decal - Cassette Operation	51 - 2
B044 2720	Decal - Cassette Operation	19 - 20
B044 2721	Paper Tray Sheet	19 - 23
B044 2751	Joint - Paper Feed Roller	19 - 8
B044 2756	Spring - Paper Feed Roller	19 - 9
B044 2758	Shaft - Paper Feed Roller	19 - 11
B044 2801	By-pass Feed Table	13 - 2
B044 2803	Tray Bottom Plate	13 - 9
B044 2804	Front Side Fence	13 - 7
B044 2805	Rear Side Fence	13 - 8
B044 2806	Lever - Manual Feed Table	13 - 4
B044 2807	Stay - Tray Bottom Plate	13 - 11
B044 2808	Paper Guide	13 - 1
B044 2809	Spring - Manual Feed Table	13 - 6
B044 2811	Guide Plate - Manual Feed	15 - 23
B044 2812	Manual Feed Bracket	15 - 25
B044 2814	Exit Guide	15 - 16
B044 2815	Friction Pad - Manual Feed	15 - 18
B044 2817	Friction Pad Spring	15 - 19
B044 2824	Cushion-manual Feed Roller	15 - 27
B044 2825	Spacer-manual Feed Roller	15 - 26
B044 2829	Manual Feed Shaft	15 - 22
B044 2860	Front Stopper Plate	17 - 39
B044 2861	Rear Stopper Plate	17 - 40
B044 3191	Tapping Screw-M3x8	17 - 26
B044 3191	Tapping Screw-M3x8	39 - 48

Part No.	Description	Page and Index No.
B044 3426	Chuck Shaft	37 - 24
B044 3427	Slide Shaft	37 - 25
B044 3461	Handlw Cam	37 - 26
B044 3470	Toner Supply Case Ass'y	37 - 33
B044 3475	Un Lock Grip	37 - 32
B044 3485	Slider Ass'y	37 - 28
B044 3857	Separation Plate	17 - 19
B044 3859	Discharge Plate	17 - 23
B044 3860	Transfer Plate	17 - 12
B044 3865	Transfer Roller Spring - Front	17 - 11
B044 3866	Transfer Roller Spring - Rear	17 - 10
B044 3870	Transfer Guide	17 - 14
B044 3894	Density Sensor: Longdist: Adhesion	17 - 15
B044 3990	Positioning Spring - Transfer Roller	17 - 9
B044 4104	Pressure Frame	39 - 36
B044 4112	Hot Roller Cap	39 - 50
B044 4117	Front Spring Plate	39 - 23
B044 4118	Rear Spring Plate	39 - 25
B044 4130	Pressure Lever	39 - 28
B044 4131	Bushing-Pressure Release	39 - 43
B044 4132	Side Plate	39 - 31
B044 4135	Lamp Holder	39 - 22
B044 4136	Ground Plate	39 - 46
B044 4138	Spring	39 - 5
B044 4141	Pressure Release Lever - Front	39 - 29
B044 4146	Pressure Release Lever - Rear	39 - 30
B044 4150	Hot Roller Stopper	39 - 37
B044 4152	Pressure Spring	39 - 27
B044 4153	Cushion	39 - 44
B044 4154	Exit Spring	39 - 10
B044 4155	Spring - Pickoff Pawl	39 - 20
B044 4156	Front Hot Roller Stopper	39 - 49
B044 4161	Warning Decal	39 - 35
B044 4161	Warning Decal	51 - 3
B044 4166	Spring Plate	39 - 2

Part No.	Description	Page and Index No.
B044 4170	Fusing Gear	39 - 38
B044 4179	Holder - Pickoff Pawl	39 - 51
B044 4183	Feeler	39 - 3
B044 4186	Guide Plate	39 - 4
B044 4200	Fusing Plate Nut	37 - 30
B044 4200	Fusing Plate Nut	39 - 33
B044 4200	Fusing Plate Nut	15 - 31
B044 4201	Fusing Harness Cover	39 - 34
B044 4401	Paper Holder Stand	39 - 47
B044 4616	Right Cover Lever	17 - 21
B044 4617	Fusing Unit Decal	17 - 24
B044 4617	Fusing Unit Decal	51 - 4
B044 4618	Spring Holder	17 - 3
B044 4624	Right Door Belt	17 - 20
B044 4655	Right Door	17 - 22
B044 4663	Reverse Guide Plate	17 - 18
B044 4929	Sheet - Exposure Glass	7 - 28
B044 4961	Oneway Clutch	23 - 22
B044 4962	Cushion	25 - 16
B044 5300	Paper End Sensor	45 - 8
B121 1680	Gear - 53Z/60Z	33 - 16
B121 1696	Timing Belt L147	33 - 17
B129 1056	Shaft Spacer	41 - 15
B129 1059	Frame-Drive-C2	37 - 34
B129 1060	PSU Stay	45 - 9
B129 1110	Rear Drive Plate 2	41 - 13
B129 1129	Plate Cushion	41 - 18
B129 1157	Side Plate - Manual Feed	41 - 22
B129 1161	Lever DC Solenoid Ass'y	41 - 16
B129 1163	Rear Drive Plate 1 Ass'y	41 - 30
B129 1164	Fusing Bracket Ass'y	41 - 11
B129 1175	Toner Bottle Drive Spring	37 - 4
B129 1176	Toner Supply Shaft	37 - 3
B129 1251	Left Scanner Cover EU	7 - 14
B129 1261	Left Scanner Cover NA	7 - 14

Part No.	Description	Page and Index No.
B129 1300	BICU Bracket	45 - 5
B129 1301	BICU Shadeing Plate	42 - 15
B129 1302	Power Supply Unit Bracket	45 - 16
B129 1303	Rear Cover Bracket	42 - 19
B129 1307	BICU Insulating Sheet	42 - 13
B129 1309	Interface Cover	47 - 5
B129 1313	Spring Plate - Gwctl	42 - 18
B129 1315	Separation Bracket	45 - 15
B129 1474	Spring Plate - Stl	9 - 10
B129 1474	Spring Plate: STL	11 - 4
B129 2820	Ground Plate - Manual Feed	41 - 23
B129 3465	Cover - Toner Supply Unit	37 - 29
B129 4102	Fusing Frame	39 - 16
B129 4134	Electrode Plate Fusing	39 - 45
B129 4143	Electrode Plate Cover	39 - 15
B129 4195	Thermostat Plate Nut	39 - 52
B129 4293	Tapping Screr - M3x10	17 - 42
B129 4293	Tapping Screr - M3x10	39 - 60
B129 4294	Screw-M3x13	39 - 42
B129 4703	Ground Plate - Lower Duplex Bracket	41 - 26
B229 1453	Keytop - Start	9 - 8
B229 1454	Keytop - Clear/Stop	9 - 7
B229 1475	Keytop - 10key	9 - 3
B229 1525	Keytop-Initial	9 - 4
B229 1526	Keytop - 10key NA	9 - 3
B229 1537	Keytop - Clear Modes	9 - 5
B229 1557	Keytop - 10key AA	9 - 3
B243 1458	Keytop - Power Source	9 - 6
B243 1459	Keytop - Cursor	9 - 2
B243 1477	Keytop: Copy: NA (D068)	9 - 12
B259 2786	Lever Shaft	13 - 3
B262 1064	Scanner Bracket - Front Right	15 - 1
B262 1256	Cover: Scanner: Right: EU	7 - 16
B262 1258	Plate: Exposure Glass	7 - 21
B262 1266	Cover: Scanner: Right: NA	7 - 16

Part No.	Description	Page and Index No.
B262 1310	Bracket: MKB	49 - 8
B262 1311	Bracket: Speaker	47 - 16
B262 1318	Bracket: Key Counter Holder	49 - 3
B262 1319	Cover: Harness: Key Counter Holder	49 - 4
B262 1324	Bracket: Key Counter Holder	49 - 5
B262 1451	Cover: Upper: Basic	9 - 13
B262 1452	Cover: Lower: Basic	9 - 11
B262 1455	Sheet: Base: Right	9 - 15
B262 1459	Cover: Upper: Fax	11 - 13
B262 1460	Cover: Lower: Fax	11 - 6
B262 1461	Keytop: Dial: Fax	11 - 12
B262 1462	Keytop: Function: Fax	11 - 9
B262 1463	Cover: Function: Fax	11 - 8
B262 1464	Sheet: Base: Left	11 - 1
B262 1466	Sheet: Display: Expand: A: NA	11 - 10
B262 1468	Sheet: Display: Expand: C	11 - 11
B262 1469	Sheet: Display: Expand: D: NA	11 - 5
B262 1470	Sheet: Display: Function: Fax: NA	11 - 7
B262 1474	Cover: On-line: C (D116)	9 - 1
B262 1479	Cover: On-line: CPS: NA (D115)	9 - 1
B262 1481	Cover: On-line: CPS: EU (D115)	9 - 1
B262 1485	Sheet: Display: Expand: B: Blank	11 - 15
B262 1653	Rail: Front	33 - 6
B262 1654	Rail: Rear	33 - 5
B262 1663	Sheet: Flat Cable: Stabilizer	33 - 9
B262 1665	Bracket: Scale: Inner Back	33 - 8
B262 1667	Holder: Hinge: Left	29 - 20
B262 1668	Holder: Hinge: Right	29 - 21
B262 1670	Bracket: Stopper: Rear	33 - 20
B262 1677	Holder: Ferrite Core: SBU	33 - 11
B262 1681	Bracket: Scale	31 - 22
B262 1683	Supporting Plate: Right Upper	31 - 19
B262 1700	Carriage: No.1 Unit	31 - 1
B262 1741	Bracket: Belt Pulley: Idler: Front	31 - 11
B262 1745	Bracket: Belt Pulley: Idler: Rear	31 - 10

Part No.	Description	Page and Index No.
B262 1770	Lens Unit	31 - 9
B262 1847	Scale: Inner Back: EU	7 - 1
B262 1848	Scale: Inner Back: NA	7 - 1
B262 2623	Guide - Paper Dust Remover	45 - 2
B262 2703	Cover: Paper Tray: EU	19 - 18
B262 2704	Cover: Paper Tray: NA	19 - 18
B262 2709	Ground Plate: Tray Bottom Plate	19 - 5
B262 2711	Ground Plater	19 - 17
B262 3020	Toner Supply Unit	37 - 22
B262 3802	Transfer Roller	17 - 8
B262 4701	Spring Plate: Discharge	41 - 27
B262 5023	Power Supply Cord: Stopper: EU: Ass'y	42 - 16
B262 5208	Harness: AC: Fusing: EU	39 - 59
B262 5208	Harness: AC: Fusing: EU	42 - 21
B262 5209	Harness: AC: Fusing: NA	42 - 21
B262 5209	Harness: AC: Fusing: NA	39 - 59
B262 5220	Harness: High Voltage Line: C	37 - 9
B262 5221	Harness: High Voltage Line: B	37 - 13
B262 5222	Harness: High Voltage Line: T	37 - 10
B262 5236	Flat Cable: SBU	42 - 25
B262 5236	Flat Cable: SBU	31 - 8
B262 5237	Flat Cable: Stabilizer	31 - 2
B262 5805	Holder: Ferrite Core	42 - 23
B284 1814	Stepping Motor - DC 5.3W	33 - 15
B284 5050	Speaker: B284	47 - 15
B351 4322	Tape: Pressuer Plate	29 - 13
B390 1759	Shaft: Scale	7 - 12
B433 5003	Hand Set: MLG: 390: EXP: Ass'y	47 - 20
B584 5120	PCB: DDR1-DIMM-32B: 128MB: Ass'y	47 - 14
B585 5140	PCB: DDR1-DIMM-32B: 512MB: Ass'y	47 - 14
B645 5010	SD - Card: Ass'y	53 - 8
B789 4257	Pulley Flange	25 - 33
B830 1456	Timing Belt - 40S2M190	27 - 14
B843 1478	Keytop: Fax: NA	11 - 14
B843 1479	Keytop: Fax: EU	11 - 14

Part No.	Description	Page and Index No.
B872 1114	Bracket: Side Plate: Rear Right	29 - 9
B872 1121	Stopper: Original Table	25 - 24
B872 1122	Compression Spring: Stopper	25 - 25
B872 1414	Hinge: Left	29 - 10
B872 1421	Hinge: Right	29 - 11
B872 1515	Spring Plate: Guide: Exposure Glass	27 - 7
B872 1522	Guide: Exposure Glass	27 - 8
B872 1912	Cap: Paper Feed Sensor: Base	29 - 8
B872 1914	Spacer: Pressure Plate	29 - 19
B872 1915	Holder: Bracket: Pressure Plate	29 - 18
B872 1916	Bracket: Pressure Plate	29 - 17
B872 1921	Lever: Driven: Pressure	29 - 2
B872 1922	Roller: Driven: Scanning: Front	29 - 4
B872 1923	Torsion Spring: Pressure: Front	29 - 1
B872 1924	Torsion Spring: Pressure: Rear	29 - 3
B872 1931	Exit Roller: Driven	29 - 6
B872 1933	Compression Spring: Exit: Driven	29 - 7
B872 1934	Bushing: Exit	29 - 5
B872 1941	Guide: Base: Driven	29 - 16
B872 2110	Guide Plate: Paper Feed: Lower	25 - 13
B872 2112	Roller: Driven: Dia14	25 - 10
B872 2113	Shaft: Reverse: Roller: Driven	25 - 9
B872 2116	Compression Spring: Reverse: Driven	25 - 8
B872 2118	Guide: Reverse: 0.1	25 - 30
B872 2211	Bracket: Reverse	25 - 14
B872 2213	Shaft: Drive: Separation	25 - 7
B872 2217	Gear: Z28	25 - 31
B872 2221	Shaft: Reverse Roller	25 - 5
B872 2222	Holder: Reverse Roller	25 - 1
B872 2223	Gear: Z17	25 - 6
B872 2251	Spring Plate: Reverse: Pressure	25 - 15
B872 2311	Guide Plate: Paper Feed: Upper	23 - 3
B872 2312	Guide Plate: Paper Feed: Upper	23 - 1
B872 2313	Cushion-Guide Plate	23 - 27
B872 2412	Bracket: Magnetic Clutch	23 - 5

Part No.	Description	Page and Index No.
B872 2420	Magnetic Clatch: Ass'y	23 - 6
B872 2421	Bushing: Feed	23 - 28
B872 2422	Shaft: Coupling: Feed	23 - 29
B872 2510	Feeder Unit	23 - 4
B872 2511	Gear: Idler: Z16	23 - 21
B872 2512	Gear: Z18	23 - 15
B872 2513	Feeler: Original Sensor	23 - 13
B872 2514	Shaft: Pickup	23 - 14
B872 2515	Cushion: Bracket: Feed	23 - 20
B872 2521	Shaft: Feed: C	23 - 12
B872 2523	Spring Clutch: Feed: DIA6	23 - 11
B872 2524	Spacer: DIA9	23 - 10
B872 2525	Bracket: Feed	23 - 31
B872 2526	Spring: Roller Clutch	23 - 16
B872 2527	Roller Clutch: Bracket: Feed	23 - 19
B872 2528	Gear: Z18	23 - 24
B872 2529	Collar: Pickup	23 - 25
B872 2611	Roller: R0	25 - 29
B872 2612	Gear: Z19	25 - 27
B872 2613	Gear: Z22	25 - 21
B872 2614	Bushing: R1	25 - 3
B872 3111	Guide Plate: Scanning: Lower	27 - 4
B872 3113	Spring Plate: Earth: Exit	27 - 11
B872 3114	Discharge Brush: Lower	27 - 6
B872 3121	Guide Plate: Scanning: Upper	27 - 1
B872 3211	Roller: Scanning: Front: Drive	27 - 2
B872 3212	Pulley: T25	27 - 16
B872 3221	Roller: Exit: Drive	27 - 3
B872 3222	Timing Pulley: T32	27 - 23
B872 3223	Timing Pulley: T32	27 - 15
B872 3233	Torque Limiter: T24: S2M	25 - 26
B872 3241	Knob: Pick-up Paper Jam	27 - 12
B872 3261	Roller: Reverse: Drive	25 - 28
B872 3311	Exchange Powl: Reverse	27 - 10
B872 3312	Lever: Exchange Powl	27 - 26

Part No.	Description	Page and Index No.
B872 3313	Tension Spring: Exchange Powl	27 - 24
B872 4113	Gear: Z44/T16	25 - 19
B872 4116	Gear: Z44/T14	25 - 18
B872 4121	Gear: Idler: Z17	25 - 34
B872 4131	Inner Cover: Left Rear	27 - 28
B872 4141	Bracket: Motor: Paper Feed: Ass'y	25 - 22
B872 4210	Bracket: Motor: Transport	27 - 22
B872 4214	Pulley: T16/T44	27 - 19
B872 4216	Tension Spring: Motor: Transport	27 - 20
B872 4310	DC Solenoid: Exchange Powl	27 - 27
B872 4512	Pressure Plate	29 - 14
B872 4513	Tape: Pressure Plate: Left	29 - 15
B872 4611	Original Table	21 - 15
B872 4612	Guide: Original Table: Front	21 - 12
B872 4613	Guide: Original Table: Rear	21 - 11
B872 4615	Cover: Original Table	21 - 9
B872 4616	Roller: Reverse: Pressure	21 - 8
B872 4621	Original Table: Auxiliary	21 - 16
B872 4624	Spring Plate	21 - 7
B872 4711	Cover: Open And Close	21 - 2
B872 4712	Guide Mylar	21 - 23
B872 4721	Shaft: Pressure: Dia4	21 - 4
B872 4722	Spring Plate: R0	21 - 6
B872 4726	Case: Magnetic	21 - 20
B872 4731	Cover: Rear	21 - 14
B872 4741	Cover: Front	21 - 19
B872 5100	PCB: Main Control	23 - 9
B872 5210	Harness: Interface	23 - 8
B872 5240	Harness: Main	23 - 7
B872 5250	Harness: Dc Solenoid	27 - 25
B872 5810	Stepper Motor DC24V 3.53W	25 - 23
B872 5820	Stepper Motor: DC24V 3.35W	27 - 21
B872 6011	Decal: Misfeed Removal	51 - 5
B872 6011	Decal: Misfeed Removal	21 - 1
B872 6021	Decal: Side Fence	21 - 10



Part No.	Description	Page and Index No.
B872 6021	Decal: Side Fence	51 - 6
B872 6031	Decal: Size: Original	51 - 7
B872 6031	Decal: Size: Original	21 - 5
B872 6041	Decal: Lever: Knob	29 - 12
B872 6041	Decal: Lever: Knob	51 - 8
B872 6061	Decal: Scale: Left: NA	7 - 24
B872 6061	Decal: Scale: Left: NA	51 - 9
B872 6071	Decal: Scale: Left: EU	51 - 9
B872 6071	Decal: Scale: Left: EU	7 - 24
B872 6081	Decal: Caution Chart	7 - 29
B872 6081	Decal: Caution Chart	51 - 10
B872 7010	Scale: Left: Adhesion (D068/D069/D072)	7 - 26
B872 7014	Cap: Registration Sensor: Scale	7 - 25
D009 5871	Connector Cap - USB-A	47 - 4
D009 5891	Left Rail - Fax Control Unit	47 - 18
D009 5899	Right Rail - Small	47 - 17
D067 1068	Sheet: Block Light: Discharge Lamp	37 - 6
D067 1250	Cover: Rear	7 - 15
D067 1254	End Fence: Paper Exit	7 - 10
D067 1256	Cover: IC Card	7 - 5
D067 1284	Extension Tray	7 - 9
D067 1286	Door: Front	7 - 19
D067 1301	Bracket: PCB: GW	47 - 3
D067 1308	Bracket: Fax Control Unit	47 - 6
D067 1310	Ground Plate: Expand: CTL	47 - 22
D067 1311	Ground Plate: USB	47 - 21
D067 1313	Insulating Sheet: CTL	47 - 9
D067 1314	Insulating Sheet: Fax Control Unit	47 - 8
D067 1330	Shadeing Plate: GWCTL	47 - 2
D067 1421	Operation Panel: SPF: NA/AA: D069 (D115)	11 - *
D067 1422	Operation Panel: SPF: EU: D069Y (D115)	11 - *
D067 1424	Operation Panel: CF: EU: D068 (D116)	11 - *
D067 1425	Operation Panel: CF: NA/AA: D068 (D116)	11 - *
D067 1431	Operation Panel: NA: D069 (D115)	9 - *
D067 1431	Operation Panel: NA: D069 (D115)	7 - 3

Part No.	Description	Page and Index No.
D067 1434	Operation Panel: AA: D069 (D115)	9 - *
D067 1434	Operation Panel: AA: D069 (D115)	7 - 3
D067 1435	Operation Panel: EU: D069 (D115)	7 - 3
D067 1435	Operation Panel: EU: D069 (D115)	9 - *
D067 1436	Operation Panel: NA: D068 (D116)	9 - *
D067 1436	Operation Panel: NA: D068 (D116)	7 - 3
D067 1437	Operation Panel: EU: D068 (D116)	9 - *
D067 1437	Operation Panel: EU: D068 (D116)	7 - 3
D067 1438	Operation Panel: AA: D068 (D116)	7 - 3
D067 1438	Operation Panel: AA: D068 (D116)	9 - *
D067 1450	Sheet: Display: Operation Panel: NA: C4	9 - 16
D067 1451	Sheet: Display: Operation Panel: EU: C4	9 - 16
D067 1495	LCD: 168x64DOTS	9 - 14
D067 1551	PCB: OPU	9 - 9
D067 1565	PCB: OPU: EXT	11 - 3
D067 1811	Bracket: Stepper Motor: ST-C4: Ass'y	33 - 24
D067 2510	Paper Tray Unit: EU	19 - *
D067 2511	Paper Tray Unit: NA	19 - *
D067 2710	Friction Pad: Adhesion	19 - 13
D067 4018	Fusing Unit: 115V	39 - *
D067 4028	Fusing Unit: 230V	39 - *
D067 4165	Discharge Brush: Exit	39 - 1
D067 5021	Power Supply Cord: NA	42 - 16
D067 5200	Harness: Toner: Connecting	42 - 7
D067 5201	Harness: HPS	42 - 4
D067 5202	Harness: Paper Feed Sensor	42 - 5
D067 5203	Harness: Paper Feed Sensor: Connecting	39 - 12
D067 5204	Harness: LDDR: Interface	35 - 2
D067 5205	Harness: Operation Sub-unit	42 - 10
D067 5206	Harness: Power Supply Unit	42 - 8
D067 5207	Harness: DC Polygon Mirror Motor	35 - 4
D067 5210	Harness: Door Switch	42 - 11
D067 5211	Harness: Switch: Front Right	15 - 12
D067 5213	Harness: Registration Sensor	42 - 6
D067 5214	Harness: Density Sensor	17 - 16

Part No.	Description	Page and Index No.
D067 5216	Harness: Motor: Main	42 - 9
D067 5217	Harness: HVP	42 - 3
D067 5218	Harness: Paper End Sensor	15 - 21
D067 5223	Harness: Paper Feed Table: Connecting	42 - 17
D067 5223	Harness: Paper Feed Table: Connecting	42 - 27
D067 5235	Ground Wire: Cassette	39 - 61
D067 5235	Ground Wire: Cassette	45 - 3
D067 5251	Harness: Sensor: Gate	39 - 58
D067 5261	Harness: Key Counter	49 - 6
D067 5290	Harness: OPU: Expand	11 - 2
D067 5299	Harness: Key Counter: Connecting	49 - 7
D068 5230	Speaker Interface Harness	47 - 13
D068 5821	Bracket: Hand Set	7 - 23
D401 5132	PCB: GWFCU3: NA: Ass'y	47 - 11
D401 5134	PCB: GWFCU3: EU: Ass'y	47 - 11
D461 2705	Grip: Option: Paper Tray	19 - 25
G014 3291	Snap Ring - Pick Up	37 - 21
G020 2599	Spring - Release Lever	19 - 15
G020 2772	By-pass Paper End Sensor	15 - 24
G025 2730	Cylindrical Lens	35 - 7
G025 2731	Synchronizing Detector Lens	35 - 8
G029 1982	LD Decal	35 - 11
G029 1982	LD Decal	51 - 11
G127 1953	Polygon Mirror Motor: DC24V 36W	35 - 5
G512 3029	Rubber Foot	45 - 6
G800 3133	Side Fence Gear	19 - 4
G800 3133	Side Fence Gear	13 - 10
G827 1023	Magnetic: Hale: DIA10x7	21 - 21
H072 2220	Spacer - M6x10	23 - 17
H310 1360	Pad: Pickup	23 - 2
H310 4120	Plate: Logotype: RIC	7 - 13
H310 4120	Plate: Logotype: RIC	7 - 20
H521 3355	C Ring - Paper Feed Roller	19 - 16
H521 3355	C Ring - Paper Feed Roller	15 - 5
H523 5350	Telephone Cable	7 - 22

Part No.	Description	Page and Index No.
H547 4203	Guide Plate Sponge	47 - 7
H555 2790	Decal - Paper Size	51 - 12
H555 2790	Decal - Paper Size	7 - 6
H555 4182	Plate: Logotype: SAV	7 - 20
H555 4183	Plate: Logotype: H555: LAN	7 - 20
H555 4184	Plate: Logotype: H555: INF	7 - 20
H555 4184	Plate: Logotype: H555: INF	7 - 13
H555 4185	Plate: Logotype: H555: NSA	7 - 20
H555 4185	Plate: Logotype: H555: NSA	7 - 13
H555 4186	Plate: Logotype: H555: REX	7 - 20
H555 4186	Plate: Logotype: H555: REX	7 - 13
H555 4187	Plate: Logotype: H555: GES	7 - 20
H555 4187	Plate: Logotype: H555: GES	7 - 13
H555 5150	Ferrite Core	42 - 24
H555 5150	Ferrite Core	31 - 23
H556 2201	Reargate Plate Guide	39 - 54
H556 2202	Front Gate Plate Guide	39 - 55
H556 2206	Guide Plate	39 - 24
H556 2208	Gate Plate	39 - 53
H556 2210	Gear - 19/28Z	39 - 13
H556 2219	Gear Bracket	39 - 56
H556 2220	Roller	39 - 57
H556 2222	Stud	39 - 14
H556 2818	Guide Plate	17 - 25
H556 2820	Mylar Reverse	17 - 28
H556 4172	Duplex Drive Bracket	41 - 24
H556 4178	Spring Plate	41 - 32
H556 4180	Plate Bracket	41 - 35
H556 4181	Spring Plate	17 - 33
H556 4183	Swivel Bracket	41 - 31
H556 4185	Transport Roller Holder	17 - 34
H556 4186	Positioning Roller	17 - 32
H556 4188	Sheet	17 - 37
H556 4189	Sheet	17 - 38
H556 4190	Transport Roller	17 - 36



Part No.	Description	Page and Index No.
H556 4192	Right Guide Plate	17 - 30
H556 5857	OPIF Rail	47 - 19

Part No.	Description	Page and Index No.
N803 1000	Case - Flash Memory Card	53 - 6
N803 6701	Flash Memory Card-4MB	53 - 7

Part No.	Description	Page and Index No.
AA00 3011	Manual Feed Decal	13 - 13
AA00 3011	Manual Feed Decal	51 - 1
AA04 2053	Belt: 3mm	31 - 15
AA04 3582	Timing Belt	41 - 33
AA04 3603	Timing Belt: B40S2M128	27 - 18
AA04 3603	Timing Belt: B40S2M128	25 - 20
AA04 3604	Timing Belt: B40S2M110	27 - 17
AA04 3605	Timing Belt: B40S3M114	27 - 13
AA04 3997	Timing Belt: ST55	33 - 2
AA06 2326	Spring - Swivel Fusing	41 - 17
AA06 3409	Right Door Spring	17 - 7
AA06 3443	Lever Spring	17 - 29
AA08 0034	Bushing - 4x5x7	25 - 11
AA08 0322	Bushing - 6mm	15 - 17
AA08 2101	Bushing - 6x10x6	19 - 10
AA08 2101	Bushing - 6x10x6	33 - 25
AA11 3032	Electrode Plate - Development	37 - 12
AA11 3034	Electrode Plate - Charge	37 - 8
AA11 3035	Electrode Plate - Transfer	37 - 11
AA12 0104	Ground Plate - Registration	41 - 21
AA12 0124	Ground Plate - Drum Drive	41 - 20
AA13 2217	Collar	41 - 6
AA14 3544	Screw - M3	27 - 9
AA14 3592	Screw- M4x6	42 - 28
AA14 3788	Pin: Guide Plate: Paper Feed	21 - 17
AA14 3804	Fusing Shaft 5	41 - 12
AA14 3866	Screw: DIA3.4: M3	7 - 30
AA14 8651	Shaft - Paper Feed Roller	37 - 15
AA16 1157	Bracket Cushion	41 - 14
AA17 0026	Insulating Sheet Power Pack	42 - 14
AB00 0025	Drum Shaft	37 - 16
AB00 0027	Development Shaft Ass'y	37 - 19
AB01 0358	Gear - 64Z	37 - 7
AB01 0362	Gear - 49Z	41 - 40
AB01 1438	Gear - 41Z	41 - 3

Part No.	Description	Page and Index No.
AB01 1492	Gear - 29Z	41 - 4
AB01 2033	Gear - 21Z	17 - 31
AB01 7582	Coupled Gear 22/50Z	37 - 14
AB01 7585	Coupled Gear - 17/44Z	41 - 8
AB01 7586	Coupled Gear - 43/53Z	41 - 2
AB01 7587	Coupled Gear - 17/44Z	41 - 7
AB01 7591	Gear - 18/30Z	25 - 32
AB01 7627	Gear - 28/43Z	41 - 43
AB01 7628	Gear - 19/38Z	41 - 29
AB01 7629	Gear - 19/21Z	41 - 9
AB01 7659	Gear - 43/91Z	41 - 41
AB01 7660	Gear - 44/67Z	41 - 38
AB01 7661	Gear - 29/69Z	41 - 37
AB01 7662	Gear - 17/67Z	41 - 39
AB01 7663	Gear - 18/40Z	41 - 10
AB03 0711	Drive Pully - 37T	33 - 19
AB03 2071	Pulley - 24Z	41 - 34
AB03 3095	Drive Pully - 41T/37T	33 - 12
AB04 0023	Spring Clutch: 0.7N.m: Z53	37 - 5
AC01 2070	Exposure Glass	7 - 11
AC01 3005	DF Exposure Glass	7 - 27
AC03 0145	1st Mirror	31 - 6
AC03 0146	2nd Mirror	31 - 16
AE01 1086	Hot Roller	39 - 40
AE02 0164	Pressure Roller	39 - 26
AE03 1035	Pressure Roller Bushing	39 - 32
AE03 1044	Fusing Bushing	39 - 39
AE04 4059	Stripper Pawls	39 - 21
AF02 0686	Registration Roller	15 - 8
AF02 2139	Driven Roller - Front Rear	17 - 5
AF02 2140	Middle Driven Roller	17 - 6
AF02 2141	Turn-roller	39 - 6
AF02 2142	Middle Roller	39 - 8
AF02 2143	Guide Roller	17 - 27
AF02 2144	Pressure Roller	21 - 3

Part No.	Description	Page and Index No.
AF02 2152	Transport Driven Roller	17 - 35
AF03 0363	Pickup Roller	23 - 26
AF03 1061	Paper Feed Roller	19 - 12
AF03 1062	Feed Roller	23 - 18
AF03 1086	By-pass Feed Roller	15 - 20
AF03 2030	Reverse Roller	25 - 2
AF04 0588	Exit Roller	39 - 9
AF04 0603	Exit Roller	39 - 7
AW01 0109	Photo Reflection Sensor: PS117ED1	27 - 5
AW02 0141	Photointerruptor	25 - 12
AW02 0155	Photointerruptor: Paper Size Sensor	25 - 17
AW10 0088	Thermistor - Fusing	39 - 18
AW11 0037	Thermostat - 160C	39 - 17
AW11 0038	Thermostat - 170C	39 - 19
AX06 0336	Stepper Motor-Duplex-DC24V 14.9W	41 - 25
AX06 0344	Brushless Motor: DC24V: 20W	41 - 28
AX20 0303	Magnetic Clutch: 245MN.M	23 - 30
AX20 0308	Magnetic Clutch: 0.25N.m: Z43	15 - 6
AX20 0309	Magnetic Clutch: 0.25N.m: Z43	41 - 5
AX20 0310	Magnetic Clutch: 0.25N.m: Z43	15 - 28
AX31 0049	Total Counter: 7Fig: 24V	42 - 22
AX44 0202	Heater - 120V/800W	39 - 41
AX44 0203	Heater - 230V: 750W	39 - 41
AX50 0096	Xenon Lamp: Dia8	31 - 4
AX50 0098	Quenching Lamp	37 - 2
AZ23 0226	Power Supply Unit: S-C3: 100V	42 - 20
AZ23 0249	Power Supply Unit: 200V	42 - 20
AZ32 0152	Power Pack BCT	42 - 2
AZ50 0077	Stabilizer: Xenon Lamp: Chn	31 - 3
BB01 3003	Gear - 14Z	21 - 13
BB01 3006	Gear - 27Z	41 - 1
GW02 0020	Photointerruptor: LG248NL1	31 - 21
GW02 0020	Photointerruptor: LG248NL1	15 - 9
GW02 0020	Photointerruptor: LG248NL1	33 - 7
GW02 0020	Photointerruptor: LG248NL1	39 - 11

Part No.	Description	Page and Index No.
GX64 5734	Fan Motor: MM80 DC24V 3.12W	42 - 1

Part No.	Description	Page and Index No.
VSSM 9000	Digital Multimeter-Fluke187	53 - 4

Part No.	Description	Page and Index No.
0353 0040N	Screw - M3x4	27 - 106
0353 0040N	Screw - M3x4	41 - 107
0353 0060N	Bind Screw - M3x6	33 - 108
0353 0060N	Bind Screw - M3x6	49 - 104
0353 0080N	Screw: M3x8	47 - 104
0353 0080N	Screw: M3x8	49 - 103
0354 0160N	Screw: M4x16	49 - 102
0360 3006N	Screw - M3x6	47 - 102
0360 3006P	Screw - M3x6	33 - 103
0450 3006N	Tapping Screw - M3x6	29 - 107
0450 3006N	Tapping Screw - M3x6	15 - 102
0450 3006N	Tapping Screw - M3x6	21 - 103
0450 3008N	Tapping Screw - M3x8	23 - 104
0450 3008N	Tapping Screw - M3x8	42 - 102
0450 3008N	Tapping Screw - M3x8	41 - 108
0450 3008N	Tapping Screw - M3x8	29 - 103
0450 3008N	Tapping Screw - M3x8	19 - 103
0450 3008N	Tapping Screw - M3x8	39 - 101
0450 3008N	Tapping Screw - M3x8	17 - 102
0450 3008N	Tapping Screw - M3x8	31 - 101
0450 3008N	Tapping Screw - M3x8	35 - 101
0450 3008N	Tapping Screw - M3x8	45 - 101
0450 3008N	Tapping Screw - M3x8	37 - 101
0450 3010N	Tapping Screw - M3x10	29 - 105
0450 3010N	Tapping Screw - M3x10	19 - 104
0450 3010N	Tapping Screw - M3x10	45 - 104
0450 3010N	Tapping Screw - M3x10	7 - 103
0450 3010N	Tapping Screw - M3x10	41 - 103
0450 3035N	Tapping Screw: 3x35	42 - 101
0450 4008N	Tapping Screw - M4x8	49 - 101
0451 3006N	Tapping Screw - 3x6	31 - 102
0451 3006N	Tapping Screw - 3x6	7 - 102
0451 3006N	Tapping Screw - 3x6	42 - 103
0451 3006N	Tapping Screw - 3x6	41 - 101
0451 3006N	Tapping Screw - 3x6	39 - 102

Part No.	Description	Page and Index No.
0451 3006N	Tapping Screw - 3x6	13 - 101
0451 3006N	Tapping Screw - 3x6	15 - 101
0451 3006N	Tapping Screw - 3x6	45 - 103
0451 3006N	Tapping Screw - 3x6	23 - 103
0451 3006N	Tapping Screw - 3x6	33 - 101
0451 3006N	Tapping Screw - 3x6	27 - 105
0451 3006N	Tapping Screw - 3x6	25 - 106
0451 3006N	Tapping Screw - 3x6	47 - 101
0451 3008N	Tapping Screw - M3x8	27 - 101
0451 3008N	Tapping Screw - M3x8	33 - 109
0451 3008N	Tapping Screw - M3x8	21 - 102
0451 3008N	Tapping Screw - M3x8	7 - 101
0451 3008N	Tapping Screw - M3x8	39 - 103
0451 3010N	Tapping Screw: 3x10	29 - 106
0452 3008N	Tapping Screw - M3x8	37 - 105
0452 3008N	Tapping Screw - M3x8	21 - 101
0452 3010N	Binding Self-Tapping Screw: 3x10	9 - 101
0452 3010N	Binding Self-Tapping Screw: 3x10	11 - 101
0452 3010N	Binding Self-Tapping Screw: 3x10	31 - 104
0452 3010N	Binding Self-Tapping Screw: 3x10	35 - 102
0452 3012N	Binding Self-Tapping Screw: M3x12	11 - 102
0452 3012N	Binding Self-Tapping Screw: M3x12	9 - 102
0453 3006N	Tapping Screw - M3x6	41 - 102
0453 3006N	Tapping Screw - M3x6	33 - 107
0453 3006N	Tapping Screw - M3x6	47 - 103
0454 3006Q	Tapping Screw - M3x6	29 - 104
0454 3006Q	Tapping Screw - M3x6	25 - 107
0454 3006Q	Tapping Screw - M3x6	33 - 102
0622 0120E	Spring Pin - 2x12mm	19 - 102
0720 0030E	Retaining Ring - M3	25 - 102
0720 0030E	Retaining Ring - M3	23 - 102
0720 0040E	Retaining Ring - M4	41 - 104
0720 0040E	Retaining Ring - M4	25 - 101
0720 0040E	Retaining Ring - M4	15 - 103
0720 0040E	Retaining Ring - M4	27 - 104

Part No.	Description	Page and Index No.
0720 0040E	Retaining Ring - M4	23 - 101
0720 0040E	Retaining Ring - M4	17 - 101
0720 0060E	Retaining Ring - M6	25 - 105
0720 0060E	Retaining Ring - M6	33 - 105
0740 3906	Ball Bearing - 6x15x5	33 - 104
0805 0088	Retaining Ring - M6	27 - 103
0805 0089	Retaining Ring - M4	19 - 101
0805 0089	Retaining Ring - M4	27 - 107
0805 3480	Bushing - 6mm	27 - 102
0805 3480	Bushing - 6mm	25 - 104
0954 3008N	Screw - M3x8	45 - 102
0954 3008N	Screw - M3x8	39 - 104
1102 8534	Connector - QR/P17-14S-B	37 - 103
1103 3734	Connector: TM-6-DC1(01)	37 - 104
1105 0409	Card Spacer- 6.4mm	45 - 105
1105 0436	Locking Support - KGCP-08-0	23 - 106
1105 0487	Harness Clamp	47 - 106
1105 0487	Harness Clamp	42 - 105
1105 0487	Harness Clamp	41 - 105
1105 0499	Support Spacer - M3x29	41 - 109
1105 0508	Harness Clamp - LWS-0711	49 - 105
1105 0508	Harness Clamp - LWS-0711	29 - 102
1105 0511	Harness Clamp - LWS-0306ZC	47 - 105
1105 0511	Harness Clamp - LWS-0306ZC	25 - 103
1105 0511	Harness Clamp - LWS-0306ZC	41 - 106
1105 0511	Harness Clamp - LWS-0306ZC	45 - 106
1105 0511	Harness Clamp - LWS-0306ZC	29 - 101
1105 0511	Harness Clamp - LWS-0306ZC	31 - 103
1105 0511	Harness Clamp - LWS-0306ZC	33 - 106
1105 0511	Harness Clamp - LWS-0306ZC	35 - 103
1105 0511	Harness Clamp - LWS-0306ZC	37 - 102
1105 0516	Clamp	25 - 109
1105 0518	Edge Saddle - LES-1010	21 - 104
1105 0522	Edge Saddle - LES0510	33 - 110
1105 0522	Edge Saddle - LES0510	45 - 107

Part No.	Description	Page and Index No.
1105 0522	Edge Saddle - LES0510	42 - 104
1105 0612	Clamp: EDS-0704L-V0	25 - 108
1105 0612	Clamp: EDS-0704L-V0	23 - 105
1204 2521	Micro Switch	15 - 104
1204 2529	Switch - V-5F912DN	15 - 105
1407 6732	RAM: FM25L512-PGC(REV.AC): 512K	47 - 107
1607 1139	Ferrite Core: RFC-8	7 - 104
1607 1715	Ferrite Core - RFC-5	7 - 105

Part No.	Description	Page and Index No.
5053 0447	Bushing - 6mm	17 - 41
5053 0447	Bushing - 6mm	41 - 44
5203 9502	Grease 501	53 - 1
5215 2621	Snap Ring - M6	21 - 18
5215 2713	Bottom Plate Pad	13 - 12
5215 2713	Bottom Plate Pad	19 - 19
5424 4142	Bushing - Cleaning Roller	41 - 36
5447 2681	Snap Ring	13 - 5
5447 2681	Snap Ring	23 - 23
5447 2681	Snap Ring	25 - 4